

PARTS LIST

[XV-D721BK/XV-D723GD]

* All printed circuit boards and its assemblies are not available as service parts.

Area suffix XV-D721BK	
J	----- U.S.A
C	----- Canada
EG	--- Germany , France , Greece , Nether lands , Switzerland
EN	----- Northern Europe
ES	----- Span , Italy
EE	----- Russian Federation
1U	----- U.S Military

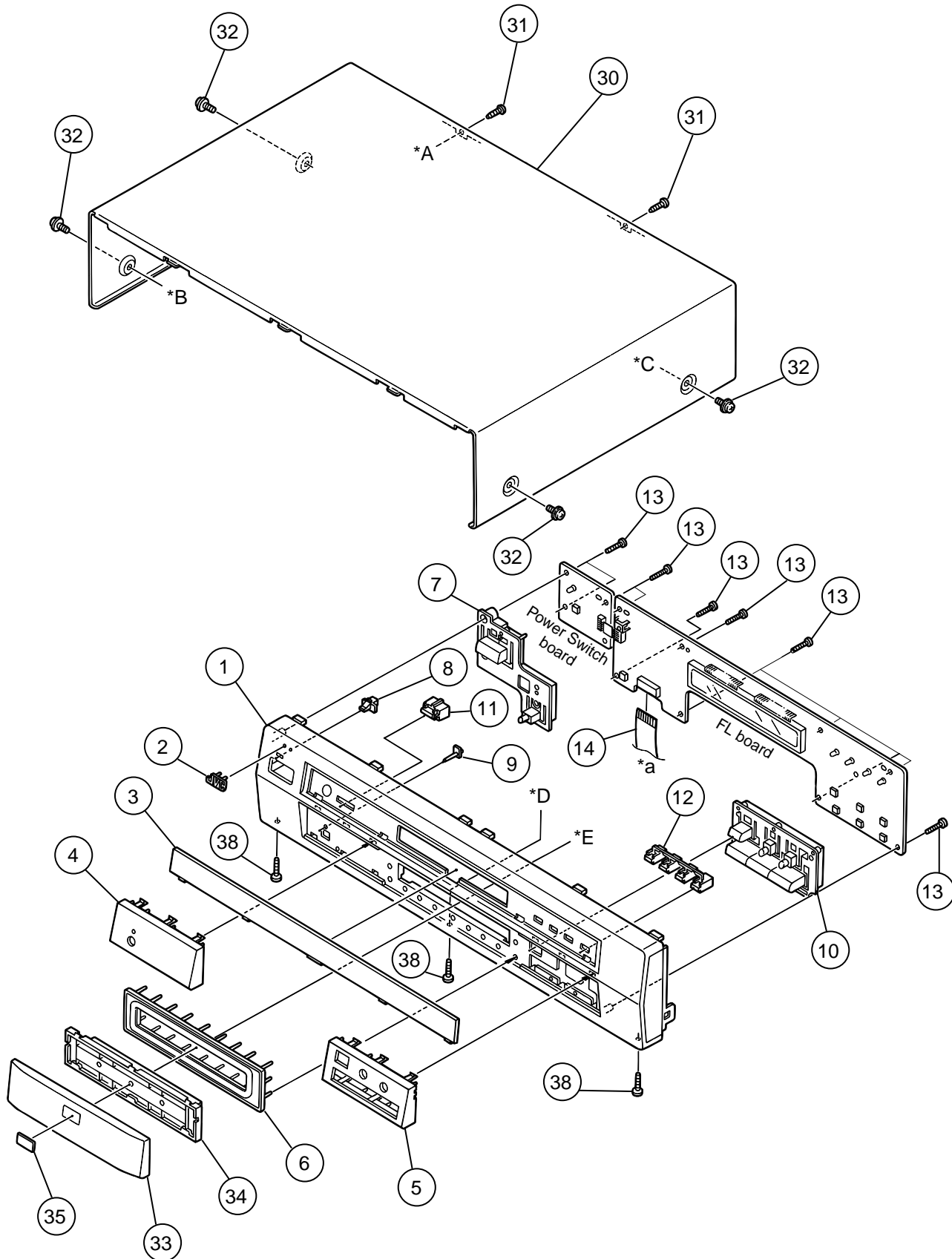
Area suffix XV-D723GD	
A	----- Australia
J	----- U.S.A
EG	--- Germany , France , Greece , Nether lands , Switzerland
EN	----- Northern Europe
ES	----- Span , Italy
UF	----- China
4U	----- Brazil , Mexico , Peru

- Contents -

Exploded view of general assembly and parts list	3-2
DVD mechanism assembly and parts list	3-6
Electrical Parts List	3-8
Packing materials and accessories parts list	3-30

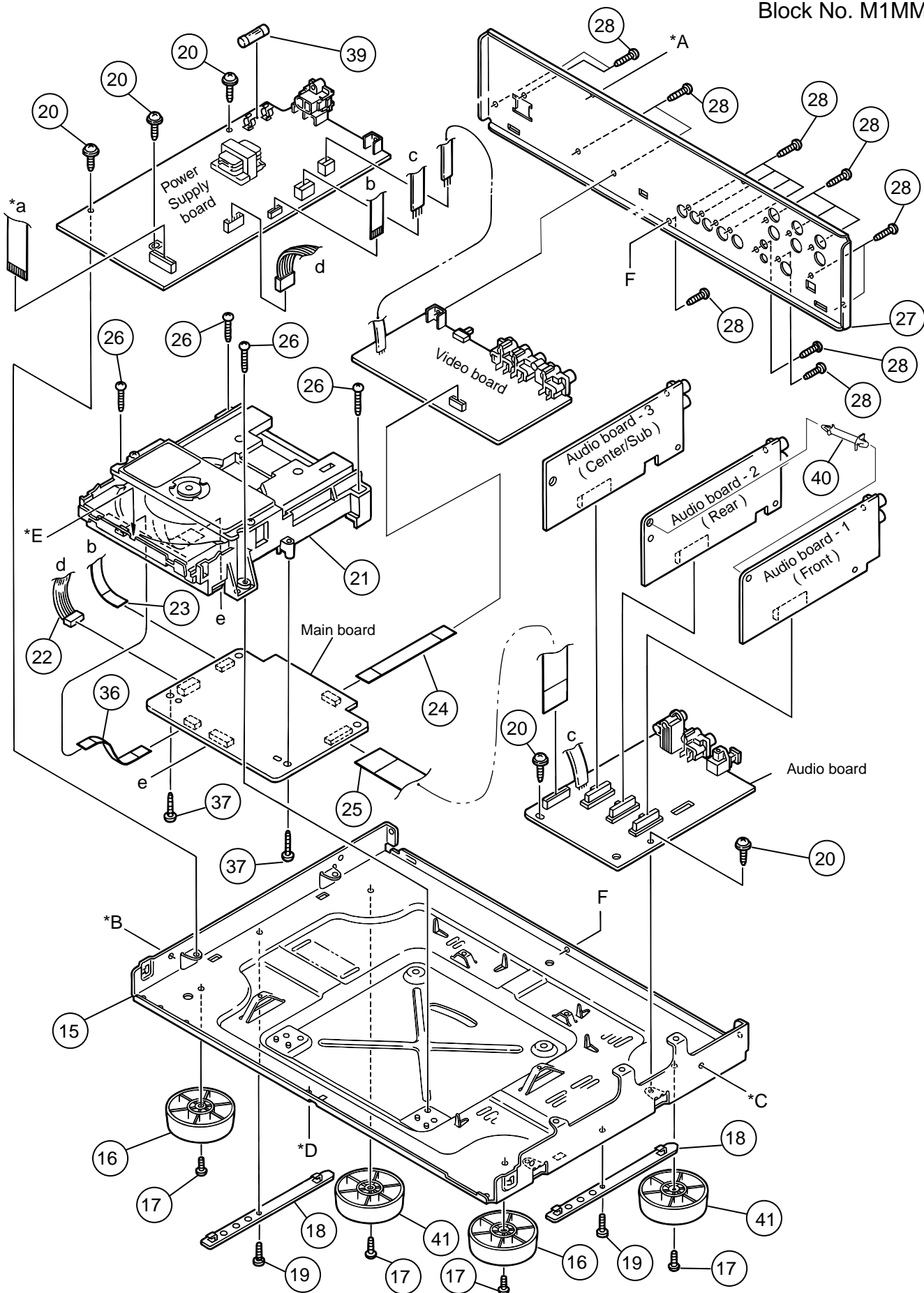
Exploded view of general assembly and parts list (1/2)

Block No. M1MM



Exploded view of general assembly and parts list (2/2)

Block No. M1MM



■ Parts list (General Assembly : XV-D721BK)

Block No. M1MM

△	Item	Parts number	Parts name	Q'ty	Description	Area
	01	LV10340-009A	FRONT PANEL	1		1U,C,J
		LV10340-013A	FRONT PANEL	1		EE,EG,EN,ES
	02	VJD5429-001SS	JVC MARK	1		
	03	LV20670-003A	WINDOW SCREEN	1		1U,C,J
		LV20670-005A	WINDOW SCREEN	1		EE,EG,EN,ES
	04	LV20668-001A	SUB PANEL(L)	1		1U,C,J
		LV20668-004A	SUB PANEL(L)	1		EE,EG,EN,ES
	05	LV20669-003A	SUB PANEL(R)	1		
	06	LV20671-002A	PAD	1		
	07	LV20672-004A	PUSH BUTTON	1		1U,EE,EG,EN,ES
		LV20672-001A	PUSH BUTTON	1		C,J
	08	LV41586-001A	INDICATOR	1		
	09	LV31748-001A	INDICATOR	1		
	10	LV20673-001A	PUSH BUTTON	1		
	11	LV31749-001A	INDICATOR	1		
	12	LV31750-001A	INDICATOR	1		
	13	QYSDSF2608Z	SCREW	3		
	14	QUQB12-1515AM	FFC WIRE	1		
	15	LV10215-002A	CHASSIS BASE	1		
	16	E307427-005	FOOT ASSY	2		
	17	QYSBST3010Z	T.SCREW	4		
	18	LV31244-002A	SPACER	2		
	19	QYSDSG3008M	SCREW	2		
	20	QYSBSGG3008E	T.SCREW	5		
	21	-----	DVD DRIVE MECHA	1		
	22	QJJ015-061201	SOCKET WIRE	1		
	23	QUQC10-0912AM	FFC WIRE	1		
	24	QUQC10-1110AJ	FFC WIRE	1		
	25	QUQC10-2312AM	FFC WIRE	1		
	26	QYSBSG3010E	T.SCREW	4		
	27	LV20676-024A	REAR PANEL	1		1U
		LV20676-022A	REAR PANEL	1		C,J
		LV20676-028A	REAR PANEL	1		EE
		LV20676-026A	REAR PANEL	1		EG,EN,ES
	28	QYSBSGY3008M	SPECIAL SCREW	16		
	30	E209102-001	METAL COVER	1		
	31	QYSBSGY3008E	SPECIAL SCREW	2		
	32	E406308-003	SPECIAL SCREW	4		
	33	LV20674-001A	FITTING	1		
	34	LV20675-001A	FITTING BASE	1		
	35	LV41565-002A	MARK	1		
	36	QUQC10-0706AM	FFC WIRE	1		
	37	QYSBSF3008Z	SCREW	2		
	38	QYSDSG3008M	SCREW	3		
△	39	QMF51E2-1R6-J1	FUSE	1		1U,EE,EG,EN,ES
		QMF51U1-1R6-J8	FUSE	1		C,J
	40	E301816-003	FASTNER	1		C,EG,EN,ES,J
	41	E307427-005	FOOT ASSY	2		1U,EE,EG,EN,ES
		E47227-037	FOOT ASS'Y	2		C,J

■ Parts list (General Assembly : XV-D723GD)

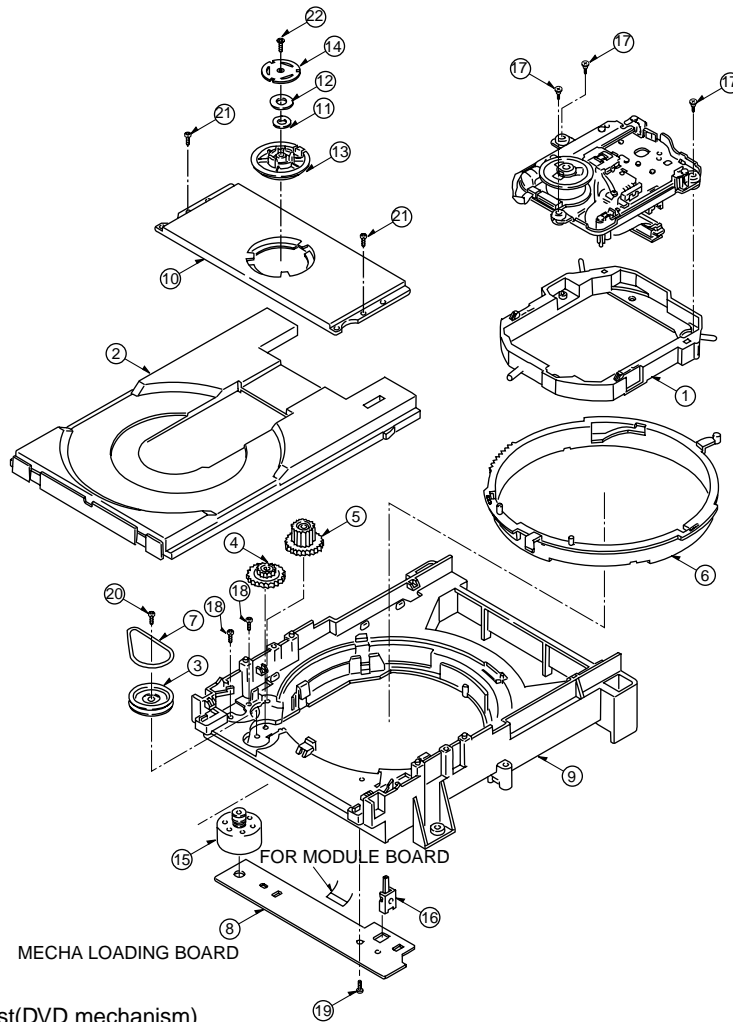
Block No. M1MM

△	Item	Parts number	Parts name	Q'ty	Description	Area
	01	LV10340-012A	FRONT PANEL	1		4U,A,UF
		LV10340-014A	FRONT PANEL	1		EG,EN,ES
		LV10340-010A	FRONT PANEL	1		J
	02	VJD5429-001SS	JVC MARK	1		
	03	LV20670-004A	WINDOW SCREEN	1		4U,A,J,UF
		LV20670-006A	WINDOW SCREEN	1		EG,EN,ES
	04	LV20668-002A	SUB PANEL(L)	1		4U,A,J,UF
		LV20668-005A	SUB PANEL(L)	1		EG,EN,ES
	05	LV20669-004A	SUB PANEL(R)	1		
	06	LV20671-002A	PAD	1		
	07	LV20672-003A	PUSH BUTTON	1		4U,A,EG,EN,ES,UF
		LV20672-002A	PUSH BUTTON	1		J
	08	LV41586-001A	INDICATOR	1		
	09	LV31748-001A	INDICATOR	1		
	10	LV20673-002A	PUSH BUTTON	1		
	11	LV31749-001A	INDICATOR	1		
	12	LV31750-001A	INDICATOR	1		
	13	QYSDSF2608Z	SCREW	8		
	14	QUQB12-1515AM	FFC WIRE	1		
	15	LV10215-002A	CHASSIS BASE	1		4U,A,J
		LV10215-002AYP	CHASSIS BASE	1		EG,EN,ES,UF
	16	E307427-005	FOOT ASSY	2		
	17	QYSBST3010Z	T.SCREW	4		
	18	LV31244-002A	SPACER	2		
	19	QYSDSG3008M	SCREW	2		
	20	QYSBSGG3008E	T.SCREW	5		
	21	-----	DVD DRIVE MECHA	1		
	22	QJJ015-061201	SOCKET WIRE	1		
	23	QUQC10-0912AM	FFC WIRE	1		
	24	QUQC10-1110AJ	FFC WIRE	1		
	25	QUQC10-2312AM	FFC WIRE	1		
	26	QYSBSG3010E	T.SCREW	4		
	27	LV20676-033A	REAR PANEL	1		4U
		LV20676-029A	REAR PANEL	1		A
		LV20676-027A	REAR PANEL	1		EG,EN,ES
		LV20676-023A	REAR PANEL	1		J
		LV20676-034A	REAR PANEL	1		UF
	28	QYSBSGY3008M	SPECIAL SCREW	16		
	30	E209102-003	METAL COVER	1		
	31	QYSBSGY3008E	SPECIAL SCREW	2		4U,A,J,UF
		QYSBSGG3008E	T.SCREW	2		EG,EN,ES
	32	E406308-004	SPECIAL SCREW	4		
	33	LV20674-002A	FITTING	1		
	34	LV20675-002A	FITTING BASE	1		
	35	LV41565-002A	MARK	1		
	36	QUQC10-0706AM	FFC WIRE	1		
	37	QYSBSF3008Z	SCREW	2		
	38	QYSDSG3006N	T.SCREW	3		
△	39	QMF51E2-1R6-J1	FUSE	1		4U,A,EG,EN,ES,UF
		QMF51U1-1R6-J8	FUSE	1		J
	40	E301816-003	FASTNER	1		EG,EN,ES,J
	41	E307427-005	FOOT ASSY	2		4U,A,EG,EN,ES,UF
		E47227-037	FOOT ASS'Y	2		J

DVD mechanism assembly and parts list

Block No. M2MM

1/2
FLM-V3



■ Parts list(DVD mechanism)

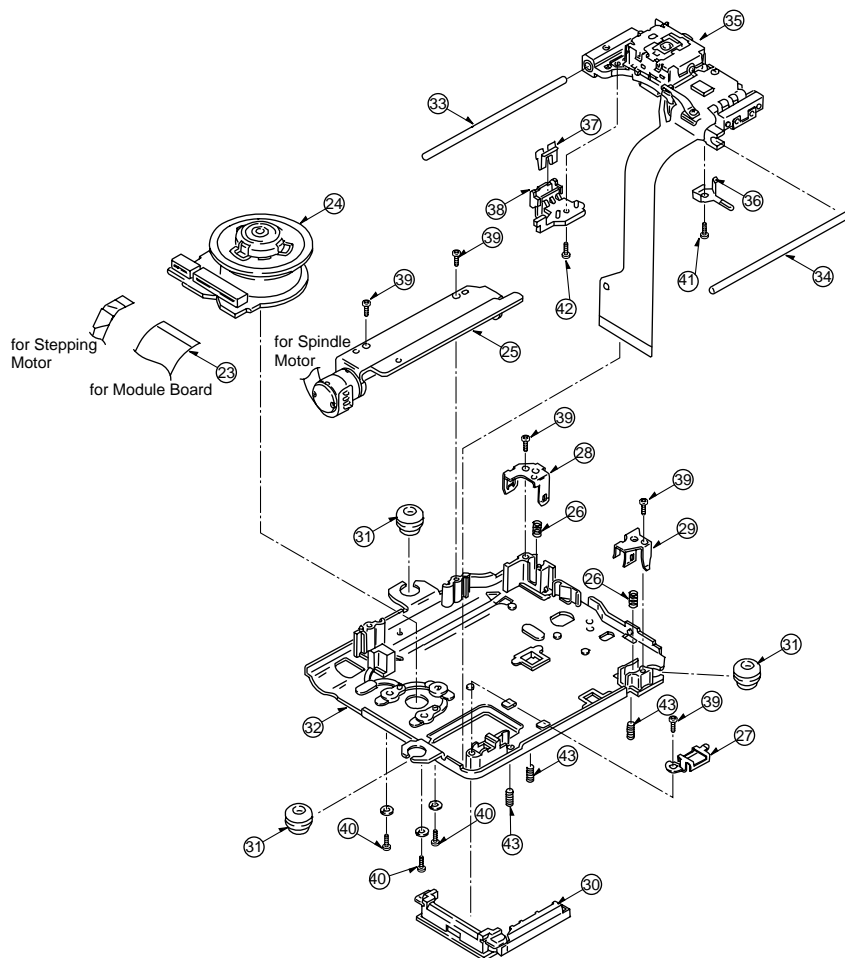
▲	REF.	PARTS NO.	PARTS NAME	QTY	SUFFIX
	1	GMVMD3270	Chassis	1	
	2	GMVMD3265	Tray	1	
	3	GMVDG1308	Pulley gear	1	
	4	GMVDG1309	Drive gear 1	1	
	5	GMVDG1310	Drive gear 2	1	
	6	GMVDK0156	UP DOWN cam	1	
	7	GMVDV0373	Belt	1	
	8	-----	Mecha roading p.c.Board	1	
	9	GMVMD3266	Roading Base	1	
	10	GMVMD3263	Clampe base	1	
	11	GMJSM0048	Magnet	1	
	12	GMVMA9535	Clamp back yoke	1	
	13	GMVMD3264	Clamper	1	
	14	GMVMA0B93	Clamper weight	1	
	15	GMVEM0664	Roading motor unit	1	
	16	GMVSH0170	Twin switch	1	
	17	GMVHD1223	Screw 1	3	
	18	GMXQNC17+3	Screw 2	2	
	19	GMXTV3+10G	Screw 3	1	
	20	GMXTW2+12T	Screw 4	1	
	21	GMXTV3+10G	Screw 5	2	
	22	GMXTS3+6J	Screw 6	1	

DVD mechanism assembly and parts list

Block No. M2MM

2/2

FML-V3



■ Parts list(DVD mechanism)

▲	REF.	PARTS NO.	PARTS NAME	QTY	SUFFIX
	23	GMVWJ1277	Spindle FFC	1	
	24	GMVEM0665	Spindle motor unit	1	
	25	GMVEM0666	Stepping motor unit	1	
	26	GMVMB3278	Tilt spring 1	2	
	27	GMVMC1487	Tilt spring 2	1	
	28	GMVMC1488	Spring suppresses 1	1	
	29	GMVMC1489	Spring suppresses 2	1	
	30	GMVMD3261	FPC holder	1	
	31	GMVMG1166	Floating rubber	3	
	32	GMVMK0474	Traverse shassis	1	
	33	GMVMS6471	Guide shaft 1	1	
	34	GMVMS6472	Guide shaft 2	1	
	35	GMVED0402	Optical pick up	1	
	36	GMVMC1491	Spring	1	
	37	GMVMC1490	Nut spring	1	
	38	GMVMD3260	Nut	1	
	39	GMVHD1224	Screw 1	5	
	40	GMVHD1225	Screw 2	3	
	41	GMVHD1057	Screw 3	1	
	42	GMXQNC17+3	Screw 4	1	
	43	GMXXE26C6FN	Screw 5	3	

■ Electrical parts list (Main board : XV-D721BK)

Block No. 01

△	Item	Parts number	Parts name	Remarks	Area
	C 005	NCB21CK-104X	C.CAPA. C.M		
	C 006	NCB21CK-104X	C.CAPA. C.M		
	C 007	NCB21CK-104X	C.CAPA. C.M		
	C 008	NCB21CK-104X	C.CAPA. C.M		
	C 101	NCB31CK-104X	C CAPACITOR		
	C 102	NEA70JM-476X	E.CAPACITOR		
	C 103	NCB31CK-104X	C CAPACITOR		
	C 104	NCS31HJ-560X	C CAPACITOR		
	C 105	NCS31HJ-101X	C.CAPACITOR		
	C 106	NEA71CM-106X	E.CAPACITOR		
	C 107	NCB31CK-104X	C CAPACITOR		
	C 108	NCB31CK-104X	C CAPACITOR		
	C 109	NCB31CK-104X	C CAPACITOR		
	C 110	NCS31HJ-101X	C.CAPACITOR		
	C 111	NCB21CK-184X	C CAPACITOR		
	C 112	NCB31CK-104X	C CAPACITOR		
	C 113	NCB31CK-104X	C CAPACITOR		
	C 114	NCB31CK-104X	C CAPACITOR		
	C 115	NCB31HK-392X	C CAPACITOR		
	C 116	NCB31CK-104X	C CAPACITOR		
	C 117	NCB11CK-105X	C CAPACITOR		
	C 118	NEX40JM-336X	E CAPACITOR		
	C 119	NCB31CK-104X	C CAPACITOR		
	C 120	NCB31CK-104X	C CAPACITOR		
	C 121	NCB21CK-334X	C CAPACITOR		
	C 122	NCS31HJ-121X	C CAPACITOR		
	C 123	NCB31CK-104X	C CAPACITOR		
	C 124	NCB31CK-104X	C CAPACITOR		
	C 125	NCB31CK-104X	C CAPACITOR		
	C 126	NCS31HJ-221X	C CAPACITOR		
	C 127	NCS31HJ-221X	C CAPACITOR		
	C 128	NCB31CK-104X	C CAPACITOR		
	C 129	NCB21CK-224X	C CAPACITOR		
	C 130	NCB31HK-102X	C CAPACITOR		
	C 131	NCB31HK-681X	C CAPACITOR		
	C 132	NCB31CK-104X	C CAPACITOR		
	C 133	NEX40JM-566X	E CAPACITOR		
	C 134	NCB31CK-104X	C CAPACITOR		
	C 135	NCS31HJ-221X	C CAPACITOR		
	C 136	NCB31CK-104X	C CAPACITOR		
	C 137	NCB31CK-104X	C CAPACITOR		
	C 138	NCB31CK-104X	C CAPACITOR		
	C 139	NCB31CK-104X	C CAPACITOR		
	C 140	NCB31CK-104X	C CAPACITOR		
	C 141	NCS31HJ-820X	C CAPACITOR		
	C 142	NCB31HK-222X	C CAPACITOR		
	C 143	NCB21CK-224X	C CAPACITOR		
	C 144	NCB31CK-104X	C CAPACITOR		
	C 145	NCB11CK-105X	C CAPACITOR		
	C 151	NEX40JM-156X	E.CAPACITOR		
	C 152	NEX40JM-156X	E.CAPACITOR		
	C 153	NCB31CK-104X	C CAPACITOR		
	C 154	NCB31CK-104X	C CAPACITOR		
	C 191	NCB31CK-104X	C CAPACITOR		
	C 192	NEA70JM-107X	E.CAPACITOR		
	C 201	NCB31CK-104X	C CAPACITOR		
	C 202	NCB31CK-393X	C CAPACITOR		
	C 203	NCB31CK-393X	C CAPACITOR		
	C 204	NCB31CK-393X	C CAPACITOR		
	C 205	NCB31CK-393X	C CAPACITOR		
	C 206	NCB31CK-104X	C CAPACITOR		
	C 208	NCB31CK-104X	C CAPACITOR		
	C 209	NCB31CK-104X	C CAPACITOR		
	C 210	NCB31CK-104X	C CAPACITOR		

△	Item	Parts number	Parts name	Remarks	Area
	C 211	NCB31CK-104X	C CAPACITOR		
	C 212	NCB31CK-104X	C CAPACITOR		
	C 213	NCB31CK-104X	C CAPACITOR		
	C 214	NCB31CK-104X	C CAPACITOR		
	C 215	NCB31HK-392X	C CAPACITOR		
	C 217	NCB31HK-821X	C CAPACITOR		
	C 218	NCB31HK-331X	C CAPACITOR		
	C 219	NCB31HK-471X	C CAPACITOR		
	C 220	NCB31CK-104X	C CAPACITOR		
	C 221	NCB31HK-271X	C CAPACITOR		
	C 222	NCB31HK-821X	C CAPACITOR		
	C 223	NCB31HK-821X	C CAPACITOR		
	C 224	NEA70JM-226X	E CAPACITOR		
	C 225	NCB11CK-105X	C CAPACITOR		
	C 226	NCB31CK-104X	C CAPACITOR		
	C 227	NCB31CK-104X	C CAPACITOR		
	C 228	NEA70JM-107X	E.CAPACITOR		
	C 229	NCB11CK-105X	C CAPACITOR		
	C 230	NCB31CK-104X	C CAPACITOR		
	C 231	NCB31CK-104X	C CAPACITOR		
	C 232	NCB31CK-104X	C CAPACITOR		
	C 233	NCS31HJ-330X	C CAPACITOR		
	C 234	NCB31HK-331X	C CAPACITOR		
	C 235	NCB31CK-104X	C CAPACITOR		
	C 236	NCB31CK-823X	C CAPACITOR		
	C 237	NCB31CK-823X	C CAPACITOR		
	C 241	NCB31CK-104X	C CAPACITOR		
	C 242	NEA70JM-107X	E.CAPACITOR		
	C 251	NCB31CK-104X	C CAPACITOR		
	C 252	NCB31CK-104X	C CAPACITOR		
	C 253	NCB31CK-104X	C CAPACITOR		
	C 254	NCB31CK-104X	C CAPACITOR		
	C 255	NEA70JM-226X	E CAPACITOR		
	C 256	NCB31CK-104X	C CAPACITOR		
	C 257	NCB31CK-104X	C CAPACITOR		
	C 258	NEA71CM-226X	E.CAPAP. C.M		
	C 259	NCB31CK-104X	C CAPACITOR		
	C 260	NCB31CK-104X	C CAPACITOR		
	C 261	NCB31CK-104X	C CAPACITOR		
	C 262	NCB31CK-104X	C CAPACITOR		
	C 263	NCB31CK-104X	C CAPACITOR		
	C 264	NCB31CK-104X	C CAPACITOR		
	C 271	NCB31CK-104X	C CAPACITOR		
	C 273	NCB31HK-102X	C CAPACITOR		
	C 275	NCB31HK-102X	C CAPACITOR		
	C 276	NCB31CK-104X	C CAPACITOR		
	C 281	NEA70JM-226X	E CAPACITOR		
	C 282	NCB31CK-104X	C CAPACITOR		
	C 284	NCB31HK-102X	C CAPACITOR		
	C 286	NCB31HK-102X	C CAPACITOR		
	C 287	NCB31CK-104X	C CAPACITOR		
	C 288	NEA71CM-226X	E.CAPAP. C.M		
	C 290	NCB31CK-104X	C CAPACITOR		
	C 291	NCB31CK-104X	C CAPACITOR		
	C 292	NEA71CM-476X	E CAPACITOR		
	C 301	NCB31CK-104X	C CAPACITOR		
	C 302	NCB31CK-104X	C CAPACITOR		
	C 303	NCB31CK-104X	C CAPACITOR		
	C 304	NCB31CK-104X	C CAPACITOR		
	C 305	NCB31CK-104X	C CAPACITOR		
	C 306	NCB31CK-104X	C CAPACITOR		
	C 307	NCB31CK-104X	C CAPACITOR		
	C 308	NCB31CK-103X	C CAPACITOR		
	C 309	NCB31CK-104X	C CAPACITOR		

■ Electrical parts list (Main board : XV-D721BK)

Block No. 01

△	Item	Parts number	Parts name	Remarks	Area
	C 310	NCB31CK-104X	C CAPACITOR		
	C 311	NCB31CK-104X	C CAPACITOR		
	C 314	NCB31CK-104X	C CAPACITOR		
	C 315	NCB31CK-104X	C CAPACITOR		
	C 316	NEA70JM-107X	E.CAPACITOR		
	C 317	NCB11CK-105X	C CAPACITOR		
	C 318	NCB31CK-104X	C CAPACITOR		
	C 319	NCB31CK-104X	C CAPACITOR		
	C 320	NCB31CK-104X	C CAPACITOR		
	C 321	NCB31CK-104X	C CAPACITOR		
	C 322	NEA70JM-107X	E.CAPACITOR		
	C 323	NCB11CK-105X	C CAPACITOR		
	C 324	NCB31CK-104X	C CAPACITOR		
	C 325	NCB31CK-104X	C CAPACITOR		
	C 351	NEA70JM-107X	E.CAPACITOR		
	C 352	NCB31CK-104X	C CAPACITOR		
	C 353	NCB31CK-104X	C CAPACITOR		
	C 354	NCB31CK-104X	C CAPACITOR		
	C 355	NCB31CK-104X	C CAPACITOR		
	C 356	NCB31CK-104X	C CAPACITOR		
	C 357	NCB31CK-104X	C CAPACITOR		
	C 358	NCB31CK-104X	C CAPACITOR		
	C 359	NCB31CK-104X	C CAPACITOR		
	C 360	NCB31CK-104X	C CAPACITOR		
	C 361	NCB31CK-104X	C CAPACITOR		
	C 362	NCB31CK-104X	C CAPACITOR		
	C 363	NCB31CK-104X	C CAPACITOR		
	C 364	NCB31CK-104X	C CAPACITOR		
	C 365	NCB31CK-104X	C CAPACITOR		
	C 366	NCB31CK-104X	C CAPACITOR		
	C 367	NCB31CK-104X	C CAPACITOR		
	C 368	NCS31HJ-100X	C CAPACITOR		
	C 369	NCS31HJ-100X	C CAPACITOR		
	C 370	NCB31CK-104X	C CAPACITOR		
	C 381	NCB31CK-104X	C CAPACITOR		
	C 391	NCB31CK-104X	C CAPACITOR		
	C 392	NEA70JM-226X	E CAPACITOR		
	C 401	NCB31CK-104X	C CAPACITOR		
	C 402	NCB31CK-104X	C CAPACITOR		
	C 405	NCB31CK-104X	C CAPACITOR		
	C 406	NCB31CK-104X	C CAPACITOR		
	C 407	NCB31CK-104X	C CAPACITOR		
	C 408	NEA70JM-226X	E CAPACITOR		
	C 409	NCB31CK-104X	C CAPACITOR		
	C 411	NCB31CK-104X	C CAPACITOR		
	C 441	NCB31CK-104X	C CAPACITOR		
	C 442	NEX40JM-156X	E.CAPACITOR		
	C 501	NCB31CK-104X	C CAPACITOR		
	C 502	NCB31CK-104X	C CAPACITOR		
	C 503	NCB31CK-104X	C CAPACITOR		
	C 504	NCB31CK-104X	C CAPACITOR		
	C 505	NCB31CK-104X	C CAPACITOR		
	C 506	NCB31CK-104X	C CAPACITOR		
	C 507	NCB31CK-104X	C CAPACITOR		
	C 508	NCB31CK-104X	C CAPACITOR		
	C 509	NCB31CK-104X	C CAPACITOR		
	C 510	NCB31CK-104X	C CAPACITOR		
	C 511	NEA70JM-226X	E CAPACITOR		
	C 512	NCB31CK-104X	C CAPACITOR		
	C 513	NCB31CK-104X	C CAPACITOR		
	C 514	NCB31CK-104X	C CAPACITOR		
	C 515	NCB31CK-104X	C CAPACITOR		
	C 516	NCB31CK-104X	C CAPACITOR		
	C 517	NCB31CK-104X	C CAPACITOR		

△	Item	Parts number	Parts name	Remarks	Area
	C 518	NCB31CK-104X	C CAPACITOR		
	C 519	NCB31CK-104X	C CAPACITOR		
	C 520	NCB31CK-104X	C CAPACITOR		
	C 521	NEA70JM-226X	E CAPACITOR		
	C 522	NCB31CK-104X	C CAPACITOR		
	C 523	NCB31CK-104X	C CAPACITOR		
	C 524	NEA70JM-226X	E CAPACITOR		
	C 525	NCB31CK-104X	C CAPACITOR		
	C 526	NCB31CK-104X	C CAPACITOR		
	C 527	NEA70JM-107X	E.CAPACITOR		
	C 528	NCB31CK-104X	C CAPACITOR		
	C 529	NCB31CK-104X	C CAPACITOR		
	C 530	NCB31CK-104X	C CAPACITOR		
	C 531	NCB31CK-104X	C CAPACITOR		
	C 532	NCB31CK-104X	C CAPACITOR		
	C 533	NCB31CK-104X	C CAPACITOR		
	C 534	NCB31CK-104X	C CAPACITOR		
	C 535	NCB31CK-104X	C CAPACITOR		
	C 536	NCB31CK-104X	C CAPACITOR		
	C 537	NEA70JM-226X	E CAPACITOR		
	C 538	NCB31CK-104X	C CAPACITOR		
	C 539	NCB31CK-104X	C CAPACITOR		
	C 540	NCB31CK-104X	C CAPACITOR		
	C 541	NCB31CK-104X	C CAPACITOR		
	C 542	NCB31CK-104X	C CAPACITOR		
	C 543	NCB31CK-104X	C CAPACITOR		
	C 544	NCB31CK-104X	C CAPACITOR		
	C 545	NCB31CK-104X	C CAPACITOR		
	C 547	NCB31CK-104X	C CAPACITOR		
	C 548	NCB31CK-104X	C CAPACITOR		
	C 549	NEA70JM-107X	E.CAPACITOR		
	C 550	NCB31CK-104X	C CAPACITOR		
	C 551	NEA70JM-476X	E.CAPACITOR		
	C 554	NCB31CK-104X	C CAPACITOR		
	C 555	NCB31CK-104X	C CAPACITOR		
	C 556	NEA70JM-226X	E CAPACITOR		
	C 557	NCB31CK-104X	C CAPACITOR		
	C 558	NEA70JM-226X	E CAPACITOR		
	C 568	NEA70JM-226X	E CAPACITOR		
	C 569	NCB31CK-104X	C CAPACITOR		
	C 571	NEA70JM-226X	E CAPACITOR		
	C 572	NCB31CK-104X	C CAPACITOR		
	C 573	NEA70JM-107X	E.CAPACITOR		
	C 574	NCB31CK-104X	C CAPACITOR		
	C 575	NCB31CK-104X	C CAPACITOR		
	C 578	NCB31CK-104X	C CAPACITOR		
	C 579	NCB31HK-221X	C CAPACITOR		
	C 580	NEA70JM-226X	E CAPACITOR		
	C 581	NEA70JM-226X	E CAPACITOR		
	C 582	NEA70JM-226X	E CAPACITOR		
	C 584	NCB31HK-221X	C CAPACITOR		
	C 601	NEA70JM-226X	E CAPACITOR		
	C 602	NEA70JM-226X	E CAPACITOR		
	C 619	NCB31CK-104X	C CAPACITOR		
	C 620	NCB31CK-104X	C CAPACITOR		
	C 621	NCB31CK-104X	C CAPACITOR		
	C 622	NCB31CK-104X	C CAPACITOR		
	C 623	NCB31HK-221X	C CAPACITOR		
	C 624	NCB31HK-221X	C CAPACITOR		
	C 626	NCB31CK-104X	C CAPACITOR		
	C 627	NEA70JM-226X	E CAPACITOR		
	C 630	NCB31CK-104X	C CAPACITOR		
	C 634	NCB31CK-104X	C CAPACITOR		
	C 635	NCB31HK-221X	C CAPACITOR		

■ Electrical parts list (Main board : XV-D721BK)

Block No. 01

△	Item	Parts number	Parts name	Remarks	Area
	C 992	NCB31CK-104X	C CAPACITOR		
	C 993	NCB31CK-104X	C CAPACITOR		
	C 994	NCB31CK-104X	C CAPACITOR		
	C 995	NCB31CK-104X	C CAPACITOR		
	C 996	NCB31CK-104X	C CAPACITOR		
	C 997	NCB31CK-104X	C CAPACITOR		
	C 998	NCB31CK-104X	C CAPACITOR		
	C 999	NEA70JM-226X	E CAPACITOR		
	CN101	QGF1016C2-21W	CONNECTOR	MECHA	
	CN102	QGF1016F2-17W	CONNECTOR	MECHA	
	CN103	QGF1016F2-07W	CONNECTOR C.M	LOADING	
	CN104	QGA2001F2-06X	CONNECTOR C.M	POWER	
	CN105	QGF1016C2-05W	CONNECTOR		
	CN502	QGF1016F2-23W	CONNECTOR	AUDIO	
	CN503	QGF1016F2-09W	CONNECTOR C.M	FRONT	
	CN504	QGF1016F2-11W	CONNECTOR C.M	VIDEO	
	D 201	1SS355-X	DIODE		
	D 202	1SS355-X	DIODE		
	D 203	1SS355-X	DIODE		
	D 272	DAP202K-X	D.TR. C.M		
	D 402	1SS355-X	DIODE		
	D 403	1SS355-X	DIODE		
	D 503	1SS355-X	DIODE		
	D 504	1SS355-X	DIODE		
	IC101	AN8706FHQ	IC		
	IC102	RN5RZ20BA-X	IC		
	IC201	MN67705EA	IC		
	IC251	AN8485SB-W	IC		
	IC271	BA5983FM-X	IC		
	IC301	MN103007BGA	IC		
	IC351	JCV8005-2	IC		
	IC381	TC74HCT32AF-X	IC(DIGITAL)		
	IC401	MN102L25GGB	IC	MASK	
	IC402	AK93C65AF-X	IC		
	IC501	NDV8501VWA	IC	JAGUAR	
	IC502	NAX0265-001X	IC	27MHZ	
	IC504	HY57V161610DTC8	IC		
	IC505	HY57V161610DTC8	IC		
	IC508	SST39VF160-02H	IC		
	IC509	SST39VF160-02L	IC		
	IC510	AK93C65AF-X	IC		
	IC511	LP3962ES-2.5-W	IC		
	IC512	TC74LCX373FT-X	IC(DIGITAL)		
	IC513	TC74LCX373FT-X	IC(DIGITAL)		
	IC516	TC74VHC595FT-X	IC(MONOLITHIC)		
	IC517	TC74VHCT14AFT-X	DIGITAL)		
	IC518	TC7W04FU-X	IC(DIGITAL)		
	IC519	TC74HCT32AF-X	IC(DIGITAL)		
	K 101	NQR0007-002X	FERRITE BEADS		
	K 102	NQR0007-002X	FERRITE BEADS		
	K 103	NQR0007-002X	FERRITE BEADS		
	K 151	NQR0007-002X	FERRITE BEADS		
	K 152	NQR0007-002X	FERRITE BEADS		
	K 153	NQR0007-002X	FERRITE BEADS		
	K 154	NQR0007-002X	FERRITE BEADS		
	K 155	NQR0007-002X	FERRITE BEADS		
	K 156	NQR0007-002X	FERRITE BEADS		
	K 157	NQR0007-002X	FERRITE BEADS		
	K 158	NQR0007-002X	FERRITE BEADS		
	K 159	NQR0007-002X	FERRITE BEADS		
	K 160	NQR0007-002X	FERRITE BEADS		
	K 201	NQR0007-002X	FERRITE BEADS		
	K 202	NQR0007-002X	FERRITE BEADS		
	K 251	NQR0007-002X	FERRITE BEADS		

△	Item	Parts number	Parts name	Remarks	Area
	K 271	NQR0007-002X	FERRITE BEADS		
	K 301	NQR0007-002X	FERRITE BEADS		
	K 302	NQR0007-002X	FERRITE BEADS		
	K 351	NQR0007-002X	FERRITE BEADS		
	K 371	NQR0007-002X	FERRITE BEADS		
	K 381	NQR0007-002X	FERRITE BEADS		
	K 401	NQR0007-002X	FERRITE BEADS		
	K 402	NQR0007-002X	FERRITE BEADS		
	K 501	NQR0007-002X	FERRITE BEADS		
	K 502	NQR0007-002X	FERRITE BEADS		
	K 503	NRSA02J-0R0X	MG RESISTOR		
	K 504	NQR0007-002X	FERRITE BEADS		
	K 505	NQR0007-002X	FERRITE BEADS		
	K 506	NQR0007-002X	FERRITE BEADS		
	K 507	NQR0007-002X	FERRITE BEADS		
	K 508	NQR0007-002X	FERRITE BEADS		
	K 509	NQR0007-002X	FERRITE BEADS		
	K 510	NQR0007-002X	FERRITE BEADS		
	K 512	NQR0007-002X	FERRITE BEADS		
	K 513	NQR0007-002X	FERRITE BEADS		
	K 516	NQR0007-002X	FERRITE BEADS		
	K 518	NQR0007-002X	FERRITE BEADS		
	K 519	NQR0007-002X	FERRITE BEADS		
	K 521	NQR0007-002X	FERRITE BEADS		
	K 523	NQR0007-002X	FERRITE BEADS		
	K 556	NQR0007-002X	FERRITE BEADS		
	K 557	NQR0007-002X	FERRITE BEADS		
	K 558	NQR0007-002X	FERRITE BEADS		
	K 559	NQR0007-002X	FERRITE BEADS		
	K 561	NQR0007-002X	FERRITE BEADS		
	K 562	NQR0007-002X	FERRITE BEADS		
	K 563	NQR0007-002X	FERRITE BEADS		
	K 564	NQR0007-002X	FERRITE BEADS		
	K 565	NQR0007-002X	FERRITE BEADS		
	K 566	NQR0007-002X	FERRITE BEADS		
	K 567	NQR0007-002X	FERRITE BEADS		
	K 568	NQR0007-002X	FERRITE BEADS		
	K 569	NQR0007-002X	FERRITE BEADS		
	K 570	NQR0007-002X	FERRITE BEADS		
	K 571	NQR0007-002X	FERRITE BEADS		
	K 572	NQR0007-002X	FERRITE BEADS		
	K 573	NQR0007-002X	FERRITE BEADS		
	K 574	NQR0007-002X	FERRITE BEADS		
	K 575	NQR0007-002X	FERRITE BEADS		
	K 576	NQR0007-002X	FERRITE BEADS		
	K 577	NQR0007-002X	FERRITE BEADS		
	K 578	NQR0007-002X	FERRITE BEADS		
	K 579	NQR0007-002X	FERRITE BEADS		
	K 581	NQR0007-002X	FERRITE BEADS		
	K 582	NQR0007-002X	FERRITE BEADS		
	K 583	NQR0007-002X	FERRITE BEADS		
	K 586	NQR0007-002X	FERRITE BEADS		
	K 588	NQR0007-002X	FERRITE BEADS		
	K 593	NQR0007-002X	FERRITE BEADS		
	K 594	NQR0007-002X	FERRITE BEADS		
	L 191	NQL044K-100X	INDUCTOR		
	L 241	NQL044K-100X	INDUCTOR		
	Q 101	2SB1424/QR/-X	TRANSISTOR		
	Q 102	DTC124EE-X	DIGI TRANSISTOR		
	Q 103	DTA124EE-X	DIGI TRANSISTOR		
	Q 104	DTC124EE-X	DIGI TRANSISTOR		
	Q 105	DTC144EE-X	TRANSISTOR		
	Q 251	DTC144EE-X	TRANSISTOR		
	Q 252	DTC144EE-X	TRANSISTOR		

■ Electrical parts list (Main board : XV-D721BK)

Block No. 01

△	Item	Parts number	Parts name	Remarks	Area
	Q 253	DTC144EE-X	TRANSISTOR		
	Q 254	DTC144EE-X	TRANSISTOR		
	Q 255	DTC144EE-X	TRANSISTOR		
	R 101	NRS125J-270X	MG RESISTOR		
	R 102	NRS125J-2R2X	MG RESISTOR		
	R 103	NRSA63J-123X	MG RESISTOR		
	R 104	NRSA63J-103X	MG RESISTOR		
	R 106	NRSA63J-223X	MG RESISTOR		
	R 108	NRSA63J-103X	MG RESISTOR		
	R 109	NRSA63J-823X	MG RESISTOR		
	R 110	NRSA63J-393X	MG RESISTOR		
	R 112	NRVA63D-123X	MG RESISTOR		
	R 113	NRSA63J-393X	MG RESISTOR		
	R 114	NRSA63J-272X	MG RESISTOR		
	R 115	NRSA63J-223X	MG RESISTOR		
	R 116	NRSA63J-103X	MG RESISTOR		
	R 117	NRSA63J-223X	MG RESISTOR		
	R 118	NRSA63J-153X	MG RESISTOR		
	R 119	NRSA63J-155X	MG RESISTOR		
	R 120	NRVA63D-332X	MF RESISTOR		
	R 121	NRSA63J-474X	MG RESISTOR		
	R 122	NRSA63J-474X	MG RESISTOR		
	R 123	NRSA63J-822X	MG RESISTOR		
	R 124	NRSA63J-183X	MG RESISTOR		
	R 125	NRSA63J-154X	MG RESISTOR		
	R 126	NRSA63J-564X	MG RESISTOR		
	R 127	NRSA63J-123X	MG RESISTOR		
	R 128	NRSA63J-223X	MG RESISTOR		
	R 129	NRSA63J-103X	MG RESISTOR		
	R 130	NRSA63J-822X	MG RESISTOR		
	R 131	NRSA63J-0R0X	MG RESISTOR		
	R 201	NRSA63J-102X	MG RESISTOR		
	R 202	NRSA63J-102X	MG RESISTOR		
	R 203	NRSA63J-102X	MG RESISTOR		
	R 204	NRSA63J-102X	MG RESISTOR		
	R 205	NRSA63J-473X	MG RESISTOR		
	R 206	NRSA63J-102X	MG RESISTOR		
	R 207	NRSA63J-473X	MG RESISTOR		
	R 208	NRSA63J-102X	MG RESISTOR		
	R 209	NRSA63J-473X	MG RESISTOR		
	R 210	NRSA63J-473X	MG RESISTOR		
	R 211	NRSA63J-102X	MG RESISTOR		
	R 212	NRSA63J-102X	MG RESISTOR		
	R 213	NRSA63J-183X	MG RESISTOR		
	R 214	NRSA63J-822X	MG RESISTOR		
	R 215	NRSA63J-473X	MG RESISTOR		
	R 216	NRSA63J-473X	MG RESISTOR		
	R 217	NRSA63J-0R0X	MG RESISTOR		
	R 218	NRSA63J-0R0X	MG RESISTOR		
	R 219	NRSA63J-0R0X	MG RESISTOR		
	R 220	NRSA63J-472X	MG RESISTOR		
	R 221	NRSA63J-0R0X	MG RESISTOR		
	R 222	NRSA63J-0R0X	MG RESISTOR		
	R 223	NRSA63J-0R0X	MG RESISTOR		
	R 224	NRSA63J-0R0X	MG RESISTOR		
	R 225	NRSA63J-0R0X	MG RESISTOR		
	R 226	NRSA63J-0R0X	MG RESISTOR		
	R 227	NRSA63J-0R0X	MG RESISTOR		
	R 228	NRSA63J-103X	MG RESISTOR		
	R 229	NRSA63J-0R0X	MG RESISTOR		
	R 230	NRSA63J-103X	MG RESISTOR		
	R 231	NRVA63D-683X	MF RESISTOR		
	R 232	NRVA63D-683X	MF RESISTOR		
	R 233	NRSA63J-103X	MG RESISTOR		

△	Item	Parts number	Parts name	Remarks	Area
	R 234	NRSA63J-103X	MG RESISTOR		
	R 235	NRSA63J-473X	MG RESISTOR		
	R 236	NRSA63J-123X	MG RESISTOR		
	R 237	NRSA63J-0R0X	MG RESISTOR		
	R 238	NRSA63J-223X	MG RESISTOR		
	R 239	NRSA63J-333X	MG RESISTOR		
	R 240	NRSA63J-333X	MG RESISTOR		
	R 241	NRVA63D-362X	MG RESISTOR		
	R 242	NRSA63J-102X	MG RESISTOR		
	R 243	NRSA63J-472X	MG RESISTOR		
	R 244	NRSA63J-102X	MG RESISTOR		
	R 245	NRVA63D-103X	MF RESISTOR		
	R 246	NRVA63D-183X	MG RESISTOR		
	R 247	NRVA63D-103X	MF RESISTOR		
	R 248	NRVA63D-183X	MG RESISTOR		
	R 249	NRSA63J-102X	MG RESISTOR		
	R 251	NRSA63J-271X	MG RESISTOR		
	R 252	NRSA63J-271X	MG RESISTOR		
	R 253	NRSA63J-0R0X	MG RESISTOR		
	R 254	NRSA63J-0R0X	MG RESISTOR		
	R 255	NRSA63J-103X	MG RESISTOR		
	R 256	NRSA63J-103X	MG RESISTOR		
	R 257	NRSA63J-103X	MG RESISTOR		
	R 258	NRSA63J-103X	MG RESISTOR		
	R 259	NRSA63J-103X	MG RESISTOR		
	R 260	NRSA63J-562X	MG RESISTOR		
	R 261	NRSA63J-563X	MG RESISTOR		
	R 262	NRS125J-R47X	MG RESISTOR		
	R 263	NRSA63J-103X	MG RESISTOR		
	R 264	NRSA63J-103X	MG RESISTOR		
	R 267	NRSA63J-103X	MG RESISTOR		
	R 268	NRS181J-2R2X	MG RESISTOR		
	R 271	NRSA63J-243X	MG RESISTOR		
	R 272	NRSA63J-103X	MG RESISTOR		
	R 273	NRSA63J-103X	MG RESISTOR		
	R 274	NRSA63J-0R0X	MG RESISTOR		
	R 275	NRSA63J-243X	MG RESISTOR		
	R 276	NRSA63J-103X	MG RESISTOR		
	R 277	NRSA63J-103X	MG RESISTOR		
	R 278	NRSA63J-0R0X	MG RESISTOR		
	R 279	NRSA63J-473X	MG RESISTOR		
	R 280	NRSA63J-0R0X	MG RESISTOR		
	R 282	NRSA63J-273X	MG RESISTOR		
	R 283	NRSA63J-103X	MG RESISTOR		
	R 284	NRSA63J-103X	MG RESISTOR		
	R 285	NRSA63J-0R0X	MG RESISTOR		
	R 286	NRSA63J-273X	MG RESISTOR		
	R 287	NRSA63J-103X	MG RESISTOR		
	R 288	NRSA63J-103X	MG RESISTOR		
	R 289	NRSA63J-0R0X	MG RESISTOR		
	R 291	NRSA63J-102X	MG RESISTOR		
	R 301	NRSA63J-473X	MG RESISTOR		
	R 302	NRSA63J-473X	MG RESISTOR		
	R 303	NRSA63J-473X	MG RESISTOR		
	R 304	NRSA63J-473X	MG RESISTOR		
	R 305	NRSA63J-473X	MG RESISTOR		
	R 306	NRSA63J-473X	MG RESISTOR		
	R 307	NRSA63J-473X	MG RESISTOR		
	R 308	NRSA63J-473X	MG RESISTOR		
	R 310	NRSA63J-102X	MG RESISTOR		
	R 311	NRSA63J-102X	MG RESISTOR		
	R 312	NRSA63J-102X	MG RESISTOR		
	R 313	NRSA63J-0R0X	MG RESISTOR		
	R 314	NRSA63J-0R0X	MG RESISTOR		

■ Electrical parts list (Main board : XV-D721BK)

Block No. 01

△	Item	Parts number	Parts name	Remarks	Area
	R 317	NRSA63J-473X	MG RESISTOR		
	R 318	NRSA63J-0R0X	MG RESISTOR		
	R 319	NRSA63J-0R0X	MG RESISTOR		
	R 322	NRSA63J-473X	MG RESISTOR		
	R 324	NRSA63J-473X	MG RESISTOR		
	R 328	NRSA63J-473X	MG RESISTOR		
	R 351	NRSA63J-105X	MG RESISTOR		
	R 352	NRSA63J-102X	MG RESISTOR		
	R 353	NRSA63J-472X	MG RESISTOR		
	R 354	NRSA63J-0R0X	MG RESISTOR		
	R 355	NRSA63J-0R0X	MG RESISTOR		
	R 356	NRSA63J-0R0X	MG RESISTOR		
	R 361	NRSA63J-102X	MG RESISTOR		
	R 362	NRSA63J-102X	MG RESISTOR		
	R 363	NRSA63J-102X	MG RESISTOR		
	R 364	NRSA63J-102X	MG RESISTOR		
	R 365	NRSA63J-102X	MG RESISTOR		
	R 366	NRSA63J-102X	MG RESISTOR		
	R 367	NRSA63J-102X	MG RESISTOR		
	R 368	NRSA63J-102X	MG RESISTOR		
	R 391	NRSA63J-152X	MG RESISTOR		
	R 392	NRSA63J-152X	MG RESISTOR		
	R 393	NRSA63J-152X	MG RESISTOR		
	R 394	NRSA63J-152X	MG RESISTOR		
	R 395	NRSA63J-152X	MG RESISTOR		
	R 396	NRSA63J-152X	MG RESISTOR		
	R 397	NRSA63J-152X	MG RESISTOR		
	R 398	NRSA63J-152X	MG RESISTOR		
	R 401	NRSA63J-102X	MG RESISTOR		
	R 402	NRSA63J-102X	MG RESISTOR		
	R 403	NRSA63J-472X	MG RESISTOR		
	R 405	NRSA63J-472X	MG RESISTOR		
	R 407	NRSA63J-105X	MG RESISTOR		
	R 408	NRSA63J-472X	MG RESISTOR		
	R 411	NRSA63J-472X	MG RESISTOR		
	R 412	NRSA63J-472X	MG RESISTOR		
	R 413	NRSA63J-472X	MG RESISTOR		
	R 414	NRSA63J-472X	MG RESISTOR		
	R 415	NRSA63J-472X	MG RESISTOR		
	R 416	NRSA63J-472X	MG RESISTOR		
	R 418	NRSA63J-472X	MG RESISTOR		
	R 429	NRSA63J-102X	MG RESISTOR		
	R 430	NRSA63J-102X	MG RESISTOR		
	R 431	NRSA63J-102X	MG RESISTOR		
	R 432	NRSA63J-102X	MG RESISTOR		
	R 500	NRSA63J-0R0X	MG RESISTOR		
	R 501	NRSA63J-221X	MG RESISTOR		
	R 503	NRSA63J-330X	MG RESISTOR		
	R 504	NRSA63J-330X	MG RESISTOR		
	R 509	NRSA63J-330X	MG RESISTOR		
	R 510	NRSA63J-330X	MG RESISTOR		
	R 513	NRSA63J-152X	MG RESISTOR		
	R 514	NRSA63J-152X	MG RESISTOR		
	R 515	NRSA63J-152X	MG RESISTOR		
	R 541	NRSA63J-0R0X	MG RESISTOR		
	R 542	NRSA63J-0R0X	MG RESISTOR		
	R 543	NRSA63J-0R0X	MG RESISTOR		
	R 544	NRSA63J-0R0X	MG RESISTOR		
	R 545	NRSA63J-0R0X	MG RESISTOR		
	R 546	NRSA63J-0R0X	MG RESISTOR		
	R 547	NRSA63J-0R0X	MG RESISTOR		
	R 548	NRSA63J-0R0X	MG RESISTOR		
	R 549	NRSA63J-0R0X	MG RESISTOR		
	R 550	NRSA63J-0R0X	MG RESISTOR		

△	Item	Parts number	Parts name	Remarks	Area
	R 551	NRSA63J-0R0X	MG RESISTOR		
	R 552	NRSA63J-0R0X	MG RESISTOR		
	R 553	NRSA63J-0R0X	MG RESISTOR		
	R 562	NRSA63J-223X	MG RESISTOR		
	R 565	NRVA63D-472X	CMF RESISTOR		
	R 566	NRVA63D-132X	MG.RESI C.M		
	R 567	NRVA63D-820X	RES. C.M		1U,C,J
	R 567	NRVA63D-750X	MF RESISTOR		*1
	R 568	NRVA63D-750X	MF RESISTOR		
	R 569	NRVA63D-750X	MF RESISTOR		
	R 570	NRSA63J-100X	MG RESISTOR		
	R 572	NRVA63D-750X	MF RESISTOR		1U,C,J
	R 572	NRVA63D-820X	RES. C.M		*1
	R 573	NRSA63J-162X	MG RESISTOR		
	R 574	NRSA63J-162X	MG RESISTOR		
	R 575	NRSA63J-101X	MG RESISTOR		
	R 576	NRSA63J-750X	MG RESISTOR		
	R 578	NRSA63J-151X	MG RESISTOR		
	R 579	NRSA63J-151X	MG RESISTOR		
	R 580	NRSA63J-151X	MG RESISTOR		
	R 581	NRSA63J-151X	MG RESISTOR		
	R 583	NRSA63J-101X	MG RESISTOR		
	R 596	NRSA63J-750X	MG RESISTOR		
	R 597	NRSA63J-103X	MG RESISTOR		
	R 628	NRSA63J-152X	MG RESISTOR		
	R 629	NRSA63J-152X	MG RESISTOR		
	R 632	NRSA63J-152X	MG RESISTOR		
	R 633	NRSA63J-152X	MG RESISTOR		
	R 634	NRSA63J-152X	MG RESISTOR		
	R 635	NRSA63J-152X	MG RESISTOR		
	R 638	NRSA63J-152X	MG RESISTOR		
	R 639	NRSA63J-152X	MG RESISTOR		
	R 649	NRSA63J-330X	MG RESISTOR		
	R 650	NRSA63J-330X	MG RESISTOR		
	R 651	NRSA63J-330X	MG RESISTOR		
	R 652	NRSA63J-330X	MG RESISTOR		
	R 655	NRSA63J-0R0X	MG RESISTOR		
	R 656	NRSA63J-0R0X	MG RESISTOR		
	R 657	NRSA63J-0R0X	MG RESISTOR		
	R 658	NRSA63J-0R0X	MG RESISTOR		
	R 659	NRSA63J-0R0X	MG RESISTOR		
	R 660	NRSA63J-0R0X	MG RESISTOR		
	R 661	NRSA63J-0R0X	MG RESISTOR		
	R 662	NRSA63J-0R0X	MG RESISTOR		
	R 663	NRSA63J-0R0X	MG RESISTOR		
	R 664	NRSA63J-0R0X	MG RESISTOR		
	R 665	NRSA63J-0R0X	MG RESISTOR		
	X 351	NAX0277-002X	CRYSTAL	33.8688MHZ	
	X 401	NAX0331-001X	C RESONATOR		

*1:EE,EG,EN,ES

■ Electrical parts list (Front & Power Supply board : XV-D721BK)

Block No. 02

△	Item	Parts number	Parts name	Remarks	Area	△	Item	Parts number	Parts name	Remarks	Area
	C1200	QDVB1EZ-223Y	C CAPACITOR				D1204	1SS119-02-T2	SI DIODE		
	C1201	QER61AM-476Z	E CAPACITOR	47MF 20% 10V			D1210	SLR-342DC-T	LED 1.1M	DISPLAY OFF	
	C1202	QCFB1HZ-104Y	C CAPACITOR	.10MF +80:-20%			D1211	SELU2E10C	LED	DVD AUDIO	
	C1203	QCFB1HZ-104Y	C CAPACITOR	.10MF +80:-20%			D1212	SLR-342MC-T	LED	44.1KHZ	1U,C,J
	C1204	QER61AM-476Z	E CAPACITOR	47MF 20% 10V			D1213	SLR-342DC-T	LED 1.1M	48KHZ	
	C1205	QCFB1HZ-104Y	C CAPACITOR	.10MF +80:-20%			D1214	SLR-342DC-T	LED 1.1M	96KHZ	
	C1206	QER61HM-475Z	E CAPACITOR	4.7MF 20% 50V			D1215	SLR-342DC-T	LED 1.1M	192KHZ	
	C1207	QER61HM-475Z	E CAPACITOR	4.7MF 20% 50V			D1216	SLR-342VC-T	LED	STANDBY	
△	C1301	QFZ9067-683	C CAPACITOR	.068MF		△	D1301	S1WB/A/60-4101	BRIDGE DIODE		
△	C1302	QCZ9079-222	C CAPACITOR	2200PF	*1,1U		D1303	ERA18-04-T1	FR DIODE		
△	C1302	QCZ9079-102	C CAPACITOR	1000PF	C,J		D1304	ERA18-04-T1	FR DIODE		
△	C1303	QCZ9079-222	C CAPACITOR	2200PF	*1,1U		D1305	ERA18-04-T1	FR DIODE		
	C1303	QCZ9079-102	C CAPACITOR	1000PF	C,J		D1306	ERA18-04-T1	FR DIODE		
	C1304	QEZO445-127	E.CAPACITOR	U	1U		D1307	ERA18-04-T1	FR DIODE		
	C1304	QETM2DM-157	E CAPACITOR	J,C,DOM	C,J		D1311	1SS133-T2	SI DIODE		
	C1304	QEZO374-826	E.CAPACITOR	E	*1		D1312	1SS133-T2	SI DIODE		
	C1305	QCZ0136-332Z	C CAPACITOR	3300PF			D1313	1SS133-T2	SI DIODE		
	C1306	QCZ0136-221Z	C CAPACITOR	220PF			D1314	1SS133-T2	SI DIODE		
	C1307	QCB1HK-471Y	C CAPACITOR	470PF 10% 50V			D1315	1SS133-T2	SI DIODE		
	C1308	QCZ0136-101Z	C CAPACITOR	100PF			D1316	MTZJ12C-T2	ZENER DIODE		
	C1309	QEMU1EM-396Z	E CAPACITOR	39MF 20% 25V			D1317	MTZJ12C-T2	ZENER DIODE		
	C1310	QCB1HK-221Y	C CAPACITOR	220PF 10% 50V		△	D1318	ERA18-04-T1	FR DIODE		
	C1311	QCFB1HZ-104Y	C CAPACITOR	.10MF +80:-20%		△	D1319	ERA18-04-T1	FR DIODE		
	C1313	QTE1C27-108	E CAPACITOR			△	D1320	ERA18-04-T1	FR DIODE		
	C1314	QTE1C27-108	E CAPACITOR			△	D1321	ERA18-04-T1	FR DIODE		
	C1315	QTE1C28-107Z	E CAPACITOR			△	D1322	ERA18-04-T1	FR DIODE		
	C1316	QTE1C28-107Z	E CAPACITOR				D1324	MTZJ2.0A-T2	ZENER DIODE		
	C1317	QTE1C28-227Z	E CAPACITOR				D1326	MTZJ5.1C-T2	ZENER DIODE		
	C1318	QTE1C28-227Z	E CAPACITOR			△	D1327	FMB-24	FUSEIODE		
	C1319	QEMS1EM-567	E CAPACITOR	560MF 20% 25V		△	D1328	FMB-24	FUSEIODE		
	C1320	QEMS1EM-567	E CAPACITOR	560MF 20% 25V			D1329	ERA18-04-T1	FR DIODE		
	C1321	QETC1CM-227Z	E CAPACITOR	220MF 20% 16V			DI901	QLF0072-001	FL TUBE		
	C1322	QEMS1CM-827	E CAPACITOR	820MF 20% 16V			EP951	QNZ0136-001Z	EARTH PLATE		
	C1323	QEMU1VM-396Z	E.CAPACITOR	39MF 20% 35V			FC951	QNG0003-001Z	FUSE CLIP		
	C1324	QETC1HM-226Z	E CAPACITOR	22MF 20% 50V			FC952	QNG0003-001Z	FUSE CLIP		
	C1325	QEMU1AM-107Z	E.CAPACITOR	100MF 20% 10V			FL951	E67132-T1R6	T1R6 FUSE LABEL		*1,1U
	C1326	QCFB1HZ-104Y	C CAPACITOR	.10MF +80:-20%			FS201	PUS9915-105	SPACER		
	C1327	QCFB1HZ-104Y	C CAPACITOR	.10MF +80:-20%			FS202	PUS9915-105	SPACER		
	C1328	QCFB1HZ-104Y	C CAPACITOR	.10MF +80:-20%			HS951	LV41785-001A	HEAT SINK		*1,1U
	C1329	QCS11HJ-101	C CAPACITOR	100PF 5% 50V			IC901	MN101C35DGA	IC	MASK	
	C1330	QETN1HM-474Z	E CAPACITOR	.47MF 20% 50V			IC902	IC-PST574C-T	IC		
	C1331	QETC1CM-226Z	E CAPACITOR	22MF 20% 16V			IC903	GP1U271X	RM RECIVER		
	C1332	QETC1AM-477Z	E CAPACITOR	470MF 20% 10V		△	IC951	STR-G6651	IC		
	C1333	QETC1AM-477Z	E CAPACITOR	470MF 20% 10V		△	IC952	PC123FY	IC(PHOTO COUPLE		*1,1U
	C1334	QEMS1AM-108	E CAPACITOR	1000MF 20% 10V		△	IC952	PC123F	IC(PHOTO COUPLE		C,J
	C1335	QETC1AM-477Z	E CAPACITOR	470MF 20% 10V		△	IC953	PC123FY	IC(PHOTO COUPLE		*1,1U
	C1336	QETC1AM-477Z	E CAPACITOR	470MF 20% 10V		△	IC953	PC123F	IC(PHOTO COUPLE		C,J
	C1337	QEMS1AM-108	E CAPACITOR	1000MF 20% 10V		△	IC954	PQ05RF1	IC		
	C1339	QETC1CM-226Z	E CAPACITOR	22MF 20% 16V			IC955	SI-3033C	IC		
	C1340	QETC1CM-227Z	E CAPACITOR	220MF 20% 16V		△	J 951	QNC0006-001	AC SOCKET		*1,1U
△	C1345	QFZ9067-683	C CAPACITOR	.068MF		△	J 951	QNC0046-001	AC INLET		C,J
	C1350	QCZ0205-155Z	ML C CAPACITOR	1.5MF			K 951	QQR0601-001Z	FERRITE BEADS		
	CN711	QGD2501C1-03Z	SOCKET	TO VIDEO			K 952	QQR0601-001Z	FERRITE BEADS		
	CN815	QGD2501C1-04Z	SOCKET	TO AUDIO			K 953	QQR0601-001Z	FERRITE BEADS		
	CN816	QGF1016C1-09	FFC/FPC CONNE				K 954	QQR0601-001Z	FERRITE BEADS		
	CN817	QGA2001C1-06	6P PLUG ASSY				K 955	QQR0601-001Z	FERRITE BEADS		
	CN818	QGF1205C1-15	CONNECTOR	TO FRONT			K 956	QQR0601-001Z	FERRITE BEADS		
	CN901	QGF1205F1-15	CONNECTOR				L1301	QQL31AK-101Z	INDUCTOR		
	CN903	QGB2003L1-04	CONNECTOR				L1302	QQL31AK-101Z	INDUCTOR		
	CN913	QGB2003M2-04	CONNECTOR				L1303	QQL31AK-101Z	INDUCTOR		
	CP901	ICP-N10-T	ICP				L1304	QQL31AK-101Z	INDUCTOR		
	D1201	1SS119-02-T2	SI DIODE				L1305	QQL31AK-101Z	INDUCTOR		
	D1202	1SS119-02-T2	SI DIODE				Q 901	DTA144ESA-T	DIGITAL.TR TAPE		
	D1203	1SS119-02-T2	SI DIODE				Q 902	2SC1741AS/QR-T	TRANSISTOR		

*1:EE,EG,EN,ES

■ Electrical parts list (Front & Power Supply board : XV-D721BK)

Block No. 02

△	Item	Parts number	Parts name	Remarks	Area
	Q 903	DTC114YSA-T	D.TR.I.M		
	Q1301	2SD2394/EF/	TRANSISTOR		
	Q1302	2SB1565/EF/	TRANSISTOR		
	Q1303	DTA114YSA-T	D.TR.I.M		
	Q1304	DTC144ESA-T	D.TR.I.M		
	Q1305	DTC144ESA-T	D.TR.I.M		
	Q1306	DTA114YSA-T	D.TR.I.M		
	Q1307	2SA933S/RS/-T	TRANSISTOR		
	Q1310	2SC1740S/RS/-T	TRANSISTOR		
	R1201	QRE141J-105Y	C RESISTOR	1.0M 5% 1/4W	
	R1210	QRE141J-750Y	C RESISTOR	75 5% 1/4W	
	R1211	QRE141J-680Y	C RESISTOR	68 5% 1/4W	
	R1212	QRE141J-750Y	C RESISTOR	75 5% 1/4W	1U,C,J
	R1213	QRE141J-750Y	C RESISTOR	75 5% 1/4W	
	R1214	QRE141J-750Y	C RESISTOR	75 5% 1/4W	
	R1215	QRE141J-750Y	C RESISTOR	75 5% 1/4W	
	R1216	QRE141J-750Y	C RESISTOR	75 5% 1/4W	
	R1217	QRE141J-103Y	C RESISTOR	10K 5% 1/4W	
	R1219	QRE141J-103Y	C RESISTOR	10K 5% 1/4W	
	R1220	QRE141J-104Y	C RESISTOR	100K 5% 1/4W	
	R1300	QRZ9044-335	COMP.RESISTOR	3.3M 1/0W	
	R1301	QRE141J-754Y	C RESISTOR	750K 5% 1/4W	1U
	R1301	QRE141J-474Y	C RESISTOR	470K 5% 1/4W	*1,C,J
	R1302	QRE141J-754Y	C RESISTOR	750K 5% 1/4W	1U
	R1302	QRE141J-474Y	C RESISTOR	470K 5% 1/4W	*1,C,J
	R1303	QRT022J-R47	OMF RESISTOR	5% 1/2W	1U,C,J
	R1303	QRT022J-R56	UNF.MF.RES	5% 1/2W	*1
	R1304	QRE141J-681Y	C RESISTOR	680 5% 1/4W	
	R1305	QRL01DJ-683X	OMF RESISTOR	68K 5% 1/1W	
	R1306	QRE141J-270Y	C RESISTOR	27 5% 1/4W	
	R1307	QRE141J-222Y	C RESISTOR	2.2K 5% 1/4W	
	R1309	QRL027J-683	OMF RESISTOR	68K 5% 1/2W	
	R1310	QRE141J-331Y	C RESISTOR	330 5% 1/4W	
	R1311	QRE141J-331Y	C RESISTOR	330 5% 1/4W	
	R1312	QRE141J-103Y	C RESISTOR	10K 5% 1/4W	
	R1313	QRE141J-103Y	C RESISTOR	10K 5% 1/4W	
	R1314	QRE141J-102Y	C RESISTOR	1.0K 5% 1/4W	
	R1315	QRE141J-102Y	C RESISTOR	1.0K 5% 1/4W	
	R1316	QRE141J-562Y	C RESISTOR	5.6K 5% 1/4W	
	R1317	QRE141J-471Y	C RESISTOR	470 5% 1/4W	
	R1320	QRE141J-221Y	C RESISTOR	220 5% 1/4W	
	R1321	QRE141J-101Y	C RESISTOR	100 5% 1/4W	
	R1322	QRE141J-681Y	C RESISTOR	680 5% 1/4W	
	R1323	QRE141J-221Y	C RESISTOR	220 5% 1/4W	
	R1328	QRE141J-103Y	C RESISTOR	10K 5% 1/4W	
	R1329	QRE141J-101Y	C RESISTOR	100 5% 1/4W	
	R1330	QRE141J-332Y	C RESISTOR	3.3K 5% 1/4W	
	R1350	QRE141J-220Y	C RESISTOR	22 5% 1/4W	
	R1351	QRE141J-220Y	C RESISTOR	22 5% 1/4W	
	R1352	QRE141J-220Y	C RESISTOR	22 5% 1/4W	
	R1353	QRE141J-220Y	C RESISTOR	22 5% 1/4W	
	R1354	QRE141J-220Y	C RESISTOR	22 5% 1/4W	
	R1355	QRE141J-223Y	C RESISTOR	22K 5% 1/4W	
	R1356	QRE141J-220Y	C RESISTOR	22 5% 1/4W	
	R2001	QRE141J-103Y	C RESISTOR	10K 5% 1/4W	
	R2002	QRE141J-331Y	C RESISTOR	330 5% 1/4W	
	RA901	QRB119J-104	R.NETWORK	100K 5% 1/1W	
	RA902	QRB089J-104	R.NETWORK	100K 5% 1/8W	
	RA903	QRB139J-104	R.NETWORK	100K 5% 1/3W	
	RA904	QRB139J-104	R.NETWORK	100K 5% 1/3W	
	RA905	QRB039J-472	R.NETWORK	4.7K 5% 1/3W	
	S 901	QSW0499-001Z	PUSH SW I.M	POWER	
	S 902	QSW0499-001Z	PUSH SW I.M	DISPLAY OFF	
	S 903	QSW0499-001Z	PUSH SW I.M	OPEN/CLOSE	

△	Item	Parts number	Parts name	Remarks	Area
	S 904	QSW0499-001Z	PUSH SW I.M	FWD SKIP	
	S 905	QSW0499-001Z	PUSH SW I.M	BWD SKIP	
	S 906	QSW0499-001Z	PUSH SW I.M	STOP	
	S 907	QSW0499-001Z	PUSH SW I.M	PAUSE	
	S 908	QSW0499-001Z	PUSH SW I.M	PLAY	
△	T 951	QQR0894-001	LINE FILTER		
	T 952	QQS0068-001	SW TRANSF		
	X 901	QAX0246-001Z	RESONATOR I.M		

*1:EE,EG,EN,ES

■ Electrical parts list (Audio & Video board : XV-D721BK)

Block No. 03

△	Item	Parts number	Parts name	Remarks	Area	△	Item	Parts number	Parts name	Remarks	Area
	C 701	QTE1A28-108Z	E CAPACITOR		1U,C,J		C 820	QFLC1HJ-561Z	M.CAPA I.M	560PF 5% 50V	
	C 702	QCZ0205-155Z	ML C CAPACITOR	1.5MF	1U,C,J		C 821	QTE0J24-338Z	E.CAPA I/M		
	C 703	QTE1A28-108Z	E CAPACITOR		1U,C,J		C 822	QTE0J24-338Z	E.CAPA I/M		
	C 704	QTE1A28-107Z	E CAPACITOR		1U,C,J		C 823	QCZ0205-155Z	ML C CAPACITOR	1.5MF	
	C 705	QCZ0205-155Z	ML C CAPACITOR	1.5MF	1U,C,J		C 824	QCZ0205-155Z	ML C CAPACITOR	1.5MF	
	C 706	QTE1H28-475Z	E CAPACITOR		1U,C,J		C 825	QFVJ1HJ-224Z	MF CAPACITOR	.22MF 5% 50V	
	C 707	QTE1H28-475Z	E CAPACITOR		1U,C,J		C 826	QTE0J28-477Z	E CAPACITOR		
	C 711	QTE1A28-108Z	E CAPACITOR		1U,C,J		C 827	QFN31HJ-103Z	M CAPACITOR	.010MF 5% 50V	
	C 712	QTE1A28-108Z	E CAPACITOR		1U,C,J		C 828	QCZ0205-155Z	ML C CAPACITOR	1.5MF	
	C 713	QTE1A28-108Z	E CAPACITOR		1U,C,J		C 829	QCZ0205-155Z	ML C CAPACITOR	1.5MF	
	C 714	QTE1A28-107Z	E CAPACITOR		1U,C,J		C 831	QFLC1HJ-152Z	M CAPACITOR	1500PF 5% 50V	
	C 715	QCZ0205-155Z	ML C CAPACITOR	1.5MF	1U,C,J		C 832	QFLC1HJ-152Z	M CAPACITOR	1500PF 5% 50V	
	C 716	QTE1H28-475Z	E CAPACITOR		1U,C,J		C 841	QFLC1HJ-222Z	M CAPACITOR	2200PF 5% 50V	
	C 717	QTE1H28-475Z	E CAPACITOR		1U,C,J		C 842	QFLC1HJ-222Z	M CAPACITOR	2200PF 5% 50V	
	C 718	QTE1H28-475Z	E CAPACITOR		1U,C,J		C 843	QTE1E28-476Z	E CAPACITOR		
	C 722	QCS11HJ-101	C CAPACITOR	100PF 5% 50V	1U,C,J		C 844	QTE1E28-476Z	E CAPACITOR		
	C 743	QTE1C27-228	E CAPACITOR		1U,C,J		C 845	QTE1C28-227Z	E CAPACITOR		
	C 744	QTE0J28-227Z	E CAPACITOR		1U,C,J		C 846	QTE1C28-227Z	E CAPACITOR		
	C 745	QCZ0205-155Z	ML C CAPACITOR	1.5MF	1U,C,J		C 847	QTE1C28-227Z	E CAPACITOR		
	C 751	QTE1A28-108Z	E CAPACITOR		*1		C 848	QTE1C28-227Z	E CAPACITOR		
	C 752	QCZ0205-155Z	ML C CAPACITOR	1.5MF	*1		C 849	QFN31HJ-152Z	M CAPACITOR	1500PF 5% 50V	
	C 753	QTE1A28-108Z	E CAPACITOR		*1		C 850	QFN31HJ-152Z	M CAPACITOR	1500PF 5% 50V	
	C 754	QTE1A28-108Z	E CAPACITOR		*1		C 851	QFLC1HJ-123Z	M CAPACITOR	.012MF 5% 50V	
	C 755	QTE1A28-108Z	E CAPACITOR		*1		C 852	QFLC1HJ-123Z	M CAPACITOR	.012MF 5% 50V	
	C 756	QTE1A28-108Z	E CAPACITOR		*1		C 853	QFLC1HJ-101Z	M.CAPA. I.M	100PF 5% 50V	
	C 757	QTE1A28-108Z	E CAPACITOR		*1		C 854	QFLC1HJ-101Z	M.CAPA. I.M	100PF 5% 50V	
	C 758	QTE1H28-475Z	E CAPACITOR		*1		C 855	QFN31HJ-333Z	M.CAPACITOR	.033MF 5% 50V	
	C 759	QTE1H28-475Z	E CAPACITOR		*1		C 856	QFN31HJ-333Z	M.CAPACITOR	.033MF 5% 50V	
	C 760	QTE1H28-475Z	E CAPACITOR		*1		C 857	QFLC1HJ-102Z	M CAPACITOR	1000PF 5% 50V	
	C 761	QTE1H28-475Z	E CAPACITOR		*1		C 858	QFLC1HJ-102Z	M CAPACITOR	1000PF 5% 50V	
	C 762	QTE1H28-475Z	E CAPACITOR		*1		C 859	QTE0J28-477Z	E CAPACITOR		
	C 763	QTE1H28-475Z	E CAPACITOR		*1		C 860	QTE0J28-477Z	E CAPACITOR		
	C 764	QTE1H28-475Z	E CAPACITOR		*1		C 861	QCZ0205-155Z	ML C CAPACITOR	1.5MF	
	C 769	QCS11HJ-101	C CAPACITOR	100PF 5% 50V	*1		C 862	QCZ0205-155Z	ML C CAPACITOR	1.5MF	
	C 770	QTE1A28-107Z	E CAPACITOR		*1		C 863	QCZ0205-155Z	ML C CAPACITOR	1.5MF	
	C 771	QCZ0205-155Z	ML C CAPACITOR	1.5MF	*1		C 864	QCZ0205-155Z	ML C CAPACITOR	1.5MF	
	C 772	QTE1A28-107Z	E CAPACITOR		*1		C 866	QFN31HJ-103Z	M CAPACITOR	.010MF 5% 50V	
	C 773	QCZ0205-155Z	ML C CAPACITOR	1.5MF	*1		C 867	QFVJ1HJ-224Z	MF CAPACITOR	.22MF 5% 50V	
	C 774	QTE1A28-107Z	E CAPACITOR		*1		C 868	QTE0J28-477Z	E CAPACITOR		
	C 775	QCZ0205-155Z	ML C CAPACITOR	1.5MF	*1		C 869	QFLC1HJ-152Z	M CAPACITOR	1500PF 5% 50V	
	C 776	QTE1C27-228	E CAPACITOR		*1		C 871	QFLC1HJ-152Z	M CAPACITOR	1500PF 5% 50V	
	C 777	QTE0J28-227Z	E CAPACITOR		*1		C 873	QFLC1HJ-222Z	M CAPACITOR	2200PF 5% 50V	
	C 778	QCZ0205-155Z	ML C CAPACITOR	1.5MF	*1		C 874	QFLC1HJ-222Z	M CAPACITOR	2200PF 5% 50V	
	C 791	QCS11HJ-471	C CAPACITOR	470PF 5% 50V	*1		C 875	QTE1E28-476Z	E CAPACITOR		
	C 792	QCS11HJ-471	C CAPACITOR	470PF 5% 50V	*1		C 876	QTE1E28-476Z	E CAPACITOR		
	C 801	QFLC1HJ-182Z	M CAPACITOR	1800PF 5% 50V			C 877	QTE1C28-227Z	E CAPACITOR		
	C 802	QFLC1HJ-182Z	M CAPACITOR	1800PF 5% 50V			C 878	QTE1C28-227Z	E CAPACITOR		
	C 803	QTE1E48-476Z	E CAPACITOR				C 879	QTE1C28-227Z	E CAPACITOR		
	C 804	QTE1E48-476Z	E CAPACITOR				C 880	QTE1C28-227Z	E CAPACITOR		
	C 805	QTE1C28-337Z	E.CAPA I/M				C 881	QFN31HJ-152Z	M CAPACITOR	1500PF 5% 50V	
	C 806	QTE1C28-337Z	E.CAPA I/M				C 882	QFN31HJ-152Z	M CAPACITOR	1500PF 5% 50V	
	C 807	QTE1C28-337Z	E.CAPA I/M				C 883	QFLC1HJ-123Z	M CAPACITOR	.012MF 5% 50V	
	C 808	QTE1C28-337Z	E.CAPA I/M				C 884	QFLC1HJ-123Z	M CAPACITOR	.012MF 5% 50V	
	C 809	QFP31HG-103Z	PP CAPACITOR	.010MF 50V			C 885	QFN31HJ-333Z	M.CAPACITOR	.033MF 5% 50V	
	C 810	QFP31HG-103Z	PP CAPACITOR	.010MF 50V			C 886	QFN31HJ-333Z	M.CAPACITOR	.033MF 5% 50V	
	C 811	QFN31HJ-561Z	M.CAPA I.M	560PF 5% 50V			C 887	QFLC1HJ-101Z	M.CAPA. I.M	100PF 5% 50V	
	C 812	QFN31HJ-561Z	M.CAPA I.M	560PF 5% 50V			C 888	QFLC1HJ-101Z	M.CAPA. I.M	100PF 5% 50V	
	C 813	QFLC1HJ-272Z	M.CAPA. I.M	2700PF 5% 50V			C 889	QFLC1HJ-102Z	M CAPACITOR	1000PF 5% 50V	
	C 814	QFLC1HJ-272Z	M.CAPA. I.M	2700PF 5% 50V			C 890	QFLC1HJ-102Z	M CAPACITOR	1000PF 5% 50V	
	C 815	QFN31HJ-333Z	M.CAPACITOR	.033MF 5% 50V			C 891	QTE0J28-477Z	E CAPACITOR		
	C 816	QFN31HJ-333Z	M.CAPACITOR	.033MF 5% 50V			C 892	QTE0J28-477Z	E CAPACITOR		
	C 817	QFP31HG-121Z	PP CAPACITOR	120PF 50V			C 893	QCZ0205-155Z	ML C CAPACITOR	1.5MF	
	C 818	QFP31HG-121Z	PP CAPACITOR	120PF 50V			C 894	QCZ0205-155Z	ML C CAPACITOR	1.5MF	
	C 819	QFLC1HJ-561Z	M.CAPA I.M	560PF 5% 50V			C 895	QCZ0205-155Z	ML C CAPACITOR	1.5MF	

*1:EE,EG,EN,ES

Electrical parts list (Audio & Video board : XV-D721BK)

Block No. 03

△	Item	Parts number	Parts name	Remarks	Area	△	Item	Parts number	Parts name	Remarks	Area
	C 897	QTE0J28-477Z	E CAPACITOR				IC821	NJM5532L	IC		
	C 898	QFVJ1HJ-224Z	MF CAPACITOR	.22MF 5% 50V			IC822	NJM5532L	IC		
	C 899	QFN31HJ-103Z	M CAPACITOR	.010MF 5% 50V			IC823	MN35505	IC		
	C 900	QCZ0205-155Z	ML C CAPACITOR	1.5MF			IC831	NJM78M05FA	IC		
	C 901	QTE0J28-477Z	E CAPACITOR				IC851	TC74HC08AF-X	IC		
	C 902	QTE1C28-477Z	E CAPACITOR				IC931	PQ3DZ53-X	IC		
	C 903	QTE1C28-477Z	E CAPACITOR				J 701	QND0019-001	S-CONNECTOR		1U,C,J
	C 911	QCF31HZ-223Z	C CAPACITOR	.022MF +80%-20%			J 702	QNN0278-001	PIN JACK		1U,C,J
	C 921	QCBB1HK-561Y	C CAPACITOR	560PF 10% 50V			J 703	QNN0277-001	PIN JACK		1U,C,J
	C 922	QCFB1HZ-104Y	C CAPACITOR	.10MF +80%-20%			J 751	QND0019-001	S-CONNECTOR	S-VIDEO	*1
	C 923	QTE1A28-107Z	E CAPACITOR				J 752	QNN0278-001	PIN JACK	CV	*1
	C 924	QCBB1HK-151Y	C CAPACITOR	150PF 10% 50V			J 753	QNZ0099-001	RGB CONNECTOR	SCART	*1
	C 925	QTE1E28-476Z	E CAPACITOR				J 801	QNN0156-001	PIN JACK		
	C 926	QCZ0205-155Z	ML C CAPACITOR	1.5MF			J 811	QNN0156-001	PIN JACK		
	C 927	QDVB1EZ-223Y	C CAPACITOR				J 821	QNN0051-001	PIN JACK		
	C9335	QETN1HM-105Z	E CAPACITOR	1.0MF 20% 50V			J 831	QNS0016-001	3.5 JACK	COMPULINK	
	C9336	QETN1HM-105Z	E CAPACITOR	1.0MF 20% 50V			J 841	QNN0029-001	PIN JACK	COAX D.OUT	
	CN701	QGF1016C1-11	CONNECTOR		1U,C,J		J 851	GP1FA550TZ	OPT TRANSMITTER	OPT D.OUT	
	CN751	QGF1016C1-11	CONNECTOR		*1		K 001	QQR0601-001Z	FERRITE BEADS		
	CN791	QGD2501C1-04Z	SOCKET		*1		K 002	QQR0601-001Z	FERRITE BEADS		
	CN801	QGB2510K2-14	CONNECTOR				K 003	QQR0601-001Z	FERRITE BEADS		
	CN802	QGB2510K2-14	CONNECTOR				K 701	QQR0601-001Z	FERRITE BEADS		1U,C,J
	CN803	QGB2510K2-14	CONNECTOR				K 702	QQR0601-001Z	FERRITE BEADS		1U,C,J
	CN811	QGB2510J1-14	CONNECTOR				K 751	QQR0601-001Z	FERRITE BEADS		*1
	CN812	QGB2510J1-14	CONNECTOR				K 752	QQR0601-001Z	FERRITE BEADS		*1
	CN813	QGB2510J1-14	CONNECTOR				K 801	QQR0601-001Z	FERRITE BEADS		
	CN831	QGF1016C1-23	CONNECTOR				K 802	QQR0601-001Z	FERRITE BEADS		
	CN935	QGA2501C1-04	4P CONNECTOR				K 803	QQR0601-001Z	FERRITE BEADS		
	D 701	1SS133-T2	SI DIODE		1U,C,J		K 804	QQR0601-001Z	FERRITE BEADS		
	D 702	1SS133-T2	SI DIODE		1U,C,J		K 811	QQR0601-001Z	FERRITE BEADS		
	D 703	1SS133-T2	SI DIODE		1U,C,J		K 812	QQR0601-001Z	FERRITE BEADS		
	D 704	1SS133-T2	SI DIODE		1U,C,J		K 813	QQR0601-001Z	FERRITE BEADS		
	D 751	1SS133-T2	SI DIODE		*1		K 814	QQR0601-001Z	FERRITE BEADS		
	D 752	1SS133-T2	SI DIODE		*1		K 821	QQR0601-001Z	FERRITE BEADS		
	D 753	1SS133-T2	SI DIODE		*1		K 822	QQR0601-001Z	FERRITE BEADS		
	D 754	1SS133-T2	SI DIODE		*1		K 823	QQR0601-001Z	FERRITE BEADS		
	D 755	1SS133-T2	SI DIODE		*1		K 824	QQR0601-001Z	FERRITE BEADS		
	D 756	1SS133-T2	SI DIODE		*1		K 831	QQR0601-001Z	FERRITE BEADS		
	D 757	1SS133-T2	SI DIODE		*1		K 832	QQR0601-001Z	FERRITE BEADS		
	D 801	1SS133-T2	SI DIODE				K 833	QQR0601-001Z	FERRITE BEADS		
	D 802	1SS133-T2	SI DIODE				K 842	QQR0601-001Z	FERRITE BEADS		
	D 811	1SS133-T2	SI DIODE				L 701	QQR1088-001	LPF		1U,C,J
	D 812	1SS133-T2	SI DIODE				L 702	QQR1088-001	LPF		1U,C,J
	D 823	1SS133-T2	SI DIODE				L 703	QQR1088-001	LPF		1U,C,J
	D 824	1SS133-T2	SI DIODE				L 704	QQR1089-001	LPF		1U,C,J
	D 851	MTZJ3.3B-T2	ZENER DIODE IM				L 751	QQR1089-001	LPF		*1
	FS751	VYSH101-009	SPACER		*1		L 752	QQR1088-001	LPF		*1
	FW701	QUM153-10DGZ4	F.WIRE		1U,C,J		L 753	QQR1088-001	LPF		*1
	FW751	QUM153-10DGZ4	F.WIRE		*1		L 754	QQR1088-001	LPF		*1
	FW801	QUM154-34DGZ4	PARA RIBON WIRE		*1		L 801	QQL121M-1R0Y	INDUCTOR I.M		
	FW804	QUM154-28DGZ4	F.WIRE				Q 751	DTC114ESA-T	DIGITAL.TR TAPE		*1
	IC701	TK15400M-X	IC		1U,C,J		Q 752	DTA114ESA-T	DIGITAL.TR TAPE		*1
	IC702	TK15401M-X	IC		1U,C,J		Q 753	DTC114ESA-T	DIGITAL.TR TAPE		*1
	IC711	NJM78M05FA	IC		1U,C,J		Q 754	DTC114ESA-T	DIGITAL.TR TAPE		*1
	IC751	TK15400M-X	IC		*1		Q 755	DTC114ESA-T	DIGITAL.TR TAPE		*1
	IC752	TK15400M-X	IC		*1		Q 791	2SD1302/ST/-T	TRANSISTOR		*1
	IC753	TK15401M-X	IC		*1		Q 792	2SD1302/ST/-T	TRANSISTOR		*1
	IC754	NJM78M05FA	IC		*1		Q 801	2SD1302/ST/-T	TRANSISTOR		
	IC801	NJM5532L	IC				Q 802	2SD1302/ST/-T	TRANSISTOR		
	IC802	NJM5532L	IC				Q 803	2SD1302/ST/-T	TRANSISTOR		
	IC803	MN35505	IC				Q 804	2SD1302/ST/-T	TRANSISTOR		
	IC811	NJM5532L	IC				Q 805	DTA114ESA-T	DIGITAL.TR TAPE		
	IC812	NJM5532L	IC				Q 806	DTA114ESA-T	DIGITAL.TR TAPE		
	IC813	MN35505	IC				Q 811	2SD1302/ST/-T	TRANSISTOR		

■ Electrical parts list (Audio & Video board : XV-D721BK)

Block No. 03

△	Item	Parts number	Parts name	Remarks	Area	△	Item	Parts number	Parts name	Remarks	Area
	Q 812	2SD1302/ST-T	TRANSISTOR				R 815	QRE141J-221Y	C RESISTOR	220 5% 1/4W	
	Q 813	DTA114ESA-T	DIGITAL.TR TAPE				R 816	QRE141J-221Y	C RESISTOR	220 5% 1/4W	
	Q 821	2SD1302/ST-T	TRANSISTOR				R 817	QRA14CF-6200Y	M.F.RESISTOR	62 1/4W	
	Q 822	2SD1302/ST-T	TRANSISTOR				R 818	QRA14CF-6200Y	M.F.RESISTOR	62 1/4W	
	Q 824	DTA114ESA-T	DIGITAL.TR TAPE				R 819	QRA14CF-6800Y	M.F.RESISTOR	68 1/4W	
	R 701	QRA14CF-75R0Y	MF.RES IM	1/4W	1U,C,J		R 820	QRA14CF-6800Y	M.F.RESISTOR	68 1/4W	
	R 702	QRA14CF-75R0Y	MF.RES IM	1/4W	1U,C,J		R 821	QRE141J-105Y	C RESISTOR	1.0M 5% 1/4W	
	R 703	QRA14CF-75R0Y	MF.RES IM	1/4W	1U,C,J		R 822	QRE141J-105Y	C RESISTOR	1.0M 5% 1/4W	
	R 704	QRA14CF-82R0Y	M.F.RESISTOR	1/4W	1U,C,J		R 823	QRE141J-103Y	C RESISTOR	10K 5% 1/4W	
	R 710	QRE141J-103Y	C RESISTOR	10K 5% 1/4W	1U,C,J		R 824	QRE141J-103Y	C RESISTOR	10K 5% 1/4W	
	R 711	QRA14CF-75R0Y	MF.RES IM	1/4W	1U,C,J		R 825	QRE141J-362Y	C RESISTOR	3.6K 5% 1/4W	
	R 712	QRA14CF-75R0Y	MF.RES IM	1/4W	1U,C,J		R 826	QRE141J-362Y	C RESISTOR	3.6K 5% 1/4W	
	R 713	QRA14CF-75R0Y	MF.RES IM	1/4W	1U,C,J		R 827	QRA14CF-3301Y	MF.RES IM	33 1/4W	
	R 714	QRA14CF-75R0Y	MF.RES IM	1/4W	1U,C,J		R 828	QRA14CF-3301Y	MF.RES IM	33 1/4W	
	R 715	QRA14CF-75R0Y	MF.RES IM	1/4W	1U,C,J		R 829	QRA14CF-1802Y	M.F.RESISTOR	18 1/4W	
	R 716	QRA14CF-75R0Y	MF.RES IM	1/4W	1U,C,J		R 830	QRA14CF-1802Y	M.F.RESISTOR	18 1/4W	
	R 723	QRA14CF-1001Y	M.F.RESISTOR	10 1/4W	1U,C,J		R 831	QRA14CF-1802Y	M.F.RESISTOR	18 1/4W	
	R 724	QRA14CF-1001Y	M.F.RESISTOR	10 1/4W	1U,C,J		R 832	QRA14CF-1802Y	M.F.RESISTOR	18 1/4W	
	R 725	QRA14CF-1001Y	M.F.RESISTOR	10 1/4W	1U,C,J		R 833	QRA14CF-1802Y	M.F.RESISTOR	18 1/4W	
	R 751	QRA14CF-75R0Y	MF.RES IM	1/4W	*1		R 834	QRA14CF-1802Y	M.F.RESISTOR	18 1/4W	
	R 752	QRA14CF-75R0Y	MF.RES IM	1/4W	*1		R 835	QRE141J-362Y	C RESISTOR	3.6K 5% 1/4W	
	R 753	QRA14CF-75R0Y	MF.RES IM	1/4W	*1		R 836	QRE141J-362Y	C RESISTOR	3.6K 5% 1/4W	
	R 754	QRA14CF-75R0Y	MF.RES IM	1/4W	*1		R 837	QRE141J-273Y	C RESISTOR	27K 5% 1/4W	
	R 755	QRA14CF-75R0Y	MF.RES IM	1/4W	*1		R 838	QRE141J-273Y	C RESISTOR	27K 5% 1/4W	
	R 756	QRA14CF-75R0Y	MF.RES IM	1/4W	*1		R 839	QRE141J-273Y	C RESISTOR	27K 5% 1/4W	
	R 757	QRA14CF-75R0Y	MF.RES IM	1/4W	*1		R 840	QRE141J-273Y	C RESISTOR	27K 5% 1/4W	
	R 758	QRA14CF-75R0Y	MF.RES IM	1/4W	*1		R 841	QRE141J-100Y	C RESISTOR	10 5% 1/4W	
	R 759	QRA14CF-75R0Y	MF.RES IM	1/4W	*1		R 842	QRE141J-100Y	C RESISTOR	10 5% 1/4W	
	R 760	QRA14CF-75R0Y	MF.RES IM	1/4W	*1		R 845	QRE141J-332Y	C RESISTOR	3.3K 5% 1/4W	
	R 761	QRA14CF-91R0Y	MF.RES IM	1/4W	*1		R 846	QRE141J-471Y	C RESISTOR	470 5% 1/4W	
	R 762	QRA14CF-1501Y	MF.RES IM	15 1/4W	*1		R 847	QRE141J-471Y	C RESISTOR	470 5% 1/4W	
	R 763	QRA14CF-2001Y	MF.RES IM	20 1/4W	*1		R 848	QRE141J-471Y	C RESISTOR	470 5% 1/4W	
	R 764	QRA14CF-1201Y	M.F.RESISTOR	12 1/4W	*1		R 849	QRE141J-471Y	C RESISTOR	470 5% 1/4W	
	R 766	QRE141J-222Y	C RESISTOR	2.2K 5% 1/4W	*1		R 850	QRE141J-471Y	C RESISTOR	470 5% 1/4W	
	R 767	QRE141J-103Y	C RESISTOR	10K 5% 1/4W	*1		R 851	QRE141J-471Y	C RESISTOR	470 5% 1/4W	
	R 768	QRE141J-750Y	C RESISTOR	75 5% 1/4W	*1		R 852	QRE141J-100Y	C RESISTOR	10 5% 1/4W	
	R 769	QRE141J-103Y	C RESISTOR	10K 5% 1/4W	*1		R 854	QRE141J-100Y	C RESISTOR	10 5% 1/4W	
	R 770	QRE141J-681Y	C RESISTOR	680 5% 1/4W	*1		R 855	QRE141J-473Y	C RESISTOR	47K 5% 1/4W	
	R 771	QRE141J-681Y	C RESISTOR	680 5% 1/4W	*1		R 856	QRE141J-473Y	C RESISTOR	47K 5% 1/4W	
	R 772	QRE141J-104Y	C RESISTOR	100K 5% 1/4W	*1		R 861	QRE141J-103Y	C RESISTOR	10K 5% 1/4W	
	R 775	QRE141J-103Y	C RESISTOR	10K 5% 1/4W	*1		R 862	QRE141J-103Y	C RESISTOR	10K 5% 1/4W	
	R 776	QRA14CF-2400Y	MF.RES IM	24 1/4W	*1		R 863	QRE141J-101Y	C RESISTOR	100 5% 1/4W	
	R 791	QRE141J-112Y	C RESISTOR	1.1K 5% 1/4W	*1		R 864	QRE141J-101Y	C RESISTOR	100 5% 1/4W	
	R 792	QRE141J-112Y	C RESISTOR	1.1K 5% 1/4W	*1		R 865	QRE141J-561Y	C RESISTOR	560 5% 1/4W	
	R 793	QRE141J-112Y	C RESISTOR	1.1K 5% 1/4W	*1		R 866	QRE141J-561Y	C RESISTOR	560 5% 1/4W	
	R 794	QRE141J-112Y	C RESISTOR	1.1K 5% 1/4W	*1		R 867	QRE141J-273Y	C RESISTOR	27K 5% 1/4W	
	R 795	QRE141J-103Y	C RESISTOR	10K 5% 1/4W	*1		R 868	QRE141J-273Y	C RESISTOR	27K 5% 1/4W	
	R 796	QRE141J-103Y	C RESISTOR	10K 5% 1/4W	*1		R 869	QRE141J-183Y	C RESISTOR	18K 5% 1/4W	
	R 797	QRE141J-151Y	C RESISTOR	150 5% 1/4W	*1		R 870	QRE141J-183Y	C RESISTOR	18K 5% 1/4W	
	R 798	QRE141J-151Y	C RESISTOR	150 5% 1/4W	*1		R 871	QRE141J-821Y	C RESISTOR	820 5% 1/4W	
	R 801	QRE141J-103Y	C RESISTOR	10K 5% 1/4W			R 872	QRE141J-821Y	C RESISTOR	820 5% 1/4W	
	R 802	QRE141J-103Y	C RESISTOR	10K 5% 1/4W			R 873	QRE141J-221Y	C RESISTOR	220 5% 1/4W	
	R 803	QRE141J-101Y	C RESISTOR	100 5% 1/4W			R 874	QRE141J-221Y	C RESISTOR	220 5% 1/4W	
	R 804	QRE141J-101Y	C RESISTOR	100 5% 1/4W			R 875	QRE141J-221Y	C RESISTOR	220 5% 1/4W	
	R 805	QRE141J-561Y	C RESISTOR	560 5% 1/4W			R 876	QRE141J-221Y	C RESISTOR	220 5% 1/4W	
	R 806	QRE141J-561Y	C RESISTOR	560 5% 1/4W			R 877	QRA14CF-5100Y	MF RES IM	51 1/4W	
	R 807	QRE141J-273Y	C RESISTOR	27K 5% 1/4W			R 878	QRA14CF-5100Y	MF RES IM	51 1/4W	
	R 808	QRE141J-273Y	C RESISTOR	27K 5% 1/4W			R 881	QRA14CF-6800Y	M.F.RESISTOR	68 1/4W	
	R 809	QRE141J-183Y	C RESISTOR	18K 5% 1/4W			R 882	QRA14CF-6800Y	M.F.RESISTOR	68 1/4W	
	R 810	QRE141J-183Y	C RESISTOR	18K 5% 1/4W			R 883	QRE141J-362Y	C RESISTOR	3.6K 5% 1/4W	
	R 811	QRE141J-821Y	C RESISTOR	820 5% 1/4W			R 884	QRE141J-362Y	C RESISTOR	3.6K 5% 1/4W	
	R 812	QRE141J-821Y	C RESISTOR	820 5% 1/4W			R 885	QRA14CF-3602Y	MF.RES IM	36 1/4W	
	R 813	QRE141J-221Y	C RESISTOR	220 5% 1/4W			R 886	QRA14CF-3602Y	MF.RES IM	36 1/4W	
	R 814	QRE141J-221Y	C RESISTOR	220 5% 1/4W			R 887	QRA14CF-1001Y	M.F.RESISTOR	10 1/4W	

■ Electrical parts list (Audio & Video board : XV-D721BK)

Block No. 03

△	Item	Parts number	Parts name	Remarks	Area
R 888	QRA14CF-1001Y	M.F.RESISTOR	10 1/4W		
R 889	QRE141J-272Y	C RESISTOR	2.7K 5% 1/4W		
R 890	QRE141J-272Y	C RESISTOR	2.7K 5% 1/4W		
R 891	QRA14CF-1802Y	M.F.RESISTOR	18 1/4W		
R 892	QRA14CF-1802Y	M.F.RESISTOR	18 1/4W		
R 893	QRA14CF-1802Y	M.F.RESISTOR	18 1/4W		
R 894	QRA14CF-1802Y	M.F.RESISTOR	18 1/4W		
R 895	QRE141J-303Y	C RESISTOR	30K 5% 1/4W		
R 896	QRE141J-303Y	C RESISTOR	30K 5% 1/4W		
R 897	QRE141J-303Y	C RESISTOR	30K 5% 1/4W		
R 898	QRE141J-303Y	C RESISTOR	30K 5% 1/4W		
R 899	QRE141J-100Y	C RESISTOR	10 5% 1/4W		
R 900	QRE141J-100Y	C RESISTOR	10 5% 1/4W		
R 903	QRE141J-471Y	C RESISTOR	470 5% 1/4W		
R 904	QRE141J-471Y	C RESISTOR	470 5% 1/4W		
R 905	QRE141J-471Y	C RESISTOR	470 5% 1/4W		
R 906	QRE141J-471Y	C RESISTOR	470 5% 1/4W		
R 907	QRE141J-332Y	C RESISTOR	3.3K 5% 1/4W		
R 908	QRE141J-471Y	C RESISTOR	470 5% 1/4W		
R 909	QRE141J-471Y	C RESISTOR	470 5% 1/4W		
R 910	QRE141J-100Y	C RESISTOR	10 5% 1/4W		
R 912	QRE141J-100Y	C RESISTOR	10 5% 1/4W		
R 913	QRE141J-473Y	C RESISTOR	47K 5% 1/4W		
R 921	QRE141J-473Y	C RESISTOR	47K 5% 1/4W		
R 923	QRE141J-103Y	C RESISTOR	10K 5% 1/4W		
R 924	QRE141J-103Y	C RESISTOR	10K 5% 1/4W		
R 925	QRE141J-101Y	C RESISTOR	100 5% 1/4W		
R 926	QRE141J-101Y	C RESISTOR	100 5% 1/4W		
R 927	QRE141J-561Y	C RESISTOR	560 5% 1/4W		
R 928	QRE141J-561Y	C RESISTOR	560 5% 1/4W		
R 929	QRE141J-273Y	C RESISTOR	27K 5% 1/4W		
R 930	QRE141J-273Y	C RESISTOR	27K 5% 1/4W		
R 931	QRE141J-183Y	C RESISTOR	18K 5% 1/4W		
R 932	QRE141J-183Y	C RESISTOR	18K 5% 1/4W		
R 933	QRE141J-821Y	C RESISTOR	820 5% 1/4W		
R 934	QRE141J-821Y	C RESISTOR	820 5% 1/4W		
R 935	QRE141J-221Y	C RESISTOR	220 5% 1/4W		
R 936	QRE141J-221Y	C RESISTOR	220 5% 1/4W		
R 937	QRE141J-221Y	C RESISTOR	220 5% 1/4W		
R 938	QRE141J-221Y	C RESISTOR	220 5% 1/4W		
R 939	QRA14CF-5100Y	MF RES IM	51 1/4W		
R 940	QRA14CF-5100Y	MF RES IM	51 1/4W		
R 943	QRA14CF-6800Y	M.F.RESISTOR	68 1/4W		
R 944	QRA14CF-6800Y	M.F.RESISTOR	68 1/4W		
R 945	QRE141J-362Y	C RESISTOR	3.6K 5% 1/4W		
R 946	QRE141J-362Y	C RESISTOR	3.6K 5% 1/4W		
R 947	QRA14CF-3602Y	MF.RES IM	36 1/4W		
R 948	QRA14CF-3602Y	MF.RES IM	36 1/4W		
R 949	QRA14CF-1001Y	M.F.RESISTOR	10 1/4W		
R 950	QRA14CF-1001Y	M.F.RESISTOR	10 1/4W		
R 951	QRA14CF-1802Y	M.F.RESISTOR	18 1/4W		
R 952	QRA14CF-1802Y	M.F.RESISTOR	18 1/4W		
R 953	QRA14CF-1802Y	M.F.RESISTOR	18 1/4W		
R 954	QRA14CF-1802Y	M.F.RESISTOR	18 1/4W		
R 955	QRE141J-272Y	C RESISTOR	2.7K 5% 1/4W		
R 956	QRE141J-272Y	C RESISTOR	2.7K 5% 1/4W		
R 957	QRE141J-303Y	C RESISTOR	30K 5% 1/4W		
R 958	QRE141J-303Y	C RESISTOR	30K 5% 1/4W		
R 959	QRE141J-303Y	C RESISTOR	30K 5% 1/4W		
R 960	QRE141J-303Y	C RESISTOR	30K 5% 1/4W		
R 961	QRE141J-100Y	C RESISTOR	10 5% 1/4W		
R 962	QRE141J-100Y	C RESISTOR	10 5% 1/4W		
R 965	QRE141J-332Y	C RESISTOR	3.3K 5% 1/4W		
R 966	QRE141J-471Y	C RESISTOR	470 5% 1/4W		

△	Item	Parts number	Parts name	Remarks	Area
R 967	QRE141J-471Y	C RESISTOR	470 5% 1/4W		
R 968	QRE141J-471Y	C RESISTOR	470 5% 1/4W		
R 969	QRE141J-471Y	C RESISTOR	470 5% 1/4W		
R 970	QRE141J-471Y	C RESISTOR	470 5% 1/4W		
R 971	QRE141J-471Y	C RESISTOR	470 5% 1/4W		
R 972	QRE141J-100Y	C RESISTOR	10 5% 1/4W		
R 974	QRE141J-100Y	C RESISTOR	10 5% 1/4W		
R1001	QRE141J-101Y	C RESISTOR	100 5% 1/4W		
R1002	QRE141J-101Y	C RESISTOR	100 5% 1/4W		
R1011	QRE141J-270Y	C RESISTOR	27 5% 1/4W		
R1012	QRJ146J-2R2X	UNF C.RES I/M	2.2 5% 1/4W		
R1013	QRE141J-750Y	C RESISTOR	75 5% 1/4W		
R1015	QRE141J-331Y	C RESISTOR	330 5% 1/4W		
R1016	QRE141J-104Y	C RESISTOR	100K 5% 1/4W		
R1805	QRE141J-362Y	C RESISTOR	3.6K 5% 1/4W		
R1806	QRE141J-362Y	C RESISTOR	3.6K 5% 1/4W		
R1825	QRE141J-272Y	C RESISTOR	2.7K 5% 1/4W		
R1826	QRE141J-272Y	C RESISTOR	2.7K 5% 1/4W		
R1845	QRE141J-272Y	C RESISTOR	2.7K 5% 1/4W		
R1846	QRE141J-272Y	C RESISTOR	2.7K 5% 1/4W		
R9335	QRE141J-102Y	C RESISTOR	1.0K 5% 1/4W		
R9336	QRE141J-102Y	C RESISTOR	1.0K 5% 1/4W		
S 701	QSW0454-001	SW			1U,C,J
S 751	QSW0454-001	SW	Y/C CV		*1
S 752	QSW0454-001	SW	RGB Y/C		*1
SP701	VYH7653-006	IC HOLDER			1U,C,J
SP702	VYH7653-006	IC HOLDER			1U,C,J
SP751	VYH7653-006	IC HOLDER			*1
SP752	VYH7653-006	IC HOLDER			*1
SP753	VYH7653-006	IC HOLDER			*1
SP803	VYH7653-002	IC HOLDER			
SP813	VYH7653-002	IC HOLDER			
SP823	VYH7653-002	IC HOLDER			
SP851	VYH7653-006	IC HOLDER			
T 801	QQR0880-001	PULSE TRANS			
WR751	QUB230-03A2A2	SIN TWIST WIRE			*1

*1:EE,EG,EN,ES

■ Electrical parts list (Main board : XV-D723GD)

Block No. 01

△	Item	Parts number	Parts name	Remarks	Area	△	Item	Parts number	Parts name		Area
	C 005	NCB21CK-104X	C.CAPA. C.M				C 211	NCB31CK-104X	C CAPACITOR		
	C 006	NCB21CK-104X	C.CAPA. C.M				C 212	NCB31CK-104X	C CAPACITOR		
	C 007	NCB21CK-104X	C.CAPA. C.M				C 213	NCB31CK-104X	C CAPACITOR		
	C 008	NCB21CK-104X	C.CAPA. C.M				C 214	NCB31CK-104X	C CAPACITOR		
	C 101	NCB31CK-104X	C CAPACITOR				C 215	NCB31HK-392X	C CAPACITOR		
	C 102	NEA70JM-476X	E.CAPACITOR				C 217	NCB31HK-821X	C CAPACITOR		
	C 103	NCB31CK-104X	C CAPACITOR				C 218	NCB31HK-331X	C CAPACITOR		
	C 104	NCS31HJ-560X	C CAPACITOR				C 219	NCB31HK-471X	C CAPACITOR		
	C 105	NCS31HJ-101X	C.CAPACITOR				C 220	NCB31CK-104X	C CAPACITOR		
	C 106	NEA71CM-106X	E.CAPACITOR				C 221	NCB31HK-271X	C CAPACITOR		
	C 107	NCB31CK-104X	C CAPACITOR				C 222	NCB31HK-821X	C CAPACITOR		
	C 108	NCB31CK-104X	C CAPACITOR				C 223	NCB31HK-821X	C CAPACITOR		
	C 109	NCB31CK-104X	C CAPACITOR				C 224	NEA70JM-226X	E CAPACITOR		
	C 110	NCS31HJ-101X	C.CAPACITOR				C 225	NCB11CK-105X	C CAPACITOR		
	C 111	NCB21CK-184X	C CAPACITOR				C 226	NCB31CK-104X	C CAPACITOR		
	C 112	NCB31CK-104X	C CAPACITOR				C 227	NCB31CK-104X	C CAPACITOR		
	C 113	NCB31CK-104X	C CAPACITOR				C 228	NEA70JM-107X	E.CAPACITOR		
	C 114	NCB31CK-104X	C CAPACITOR				C 229	NCB11CK-105X	C CAPACITOR		
	C 115	NCB31HK-392X	C CAPACITOR				C 230	NCB31CK-104X	C CAPACITOR		
	C 116	NCB31CK-104X	C CAPACITOR				C 231	NCB31CK-104X	C CAPACITOR		
	C 117	NCB11CK-105X	C CAPACITOR				C 232	NCB31CK-104X	C CAPACITOR		
	C 118	NEX40JM-336X	E CAPACITOR				C 233	NCS31HJ-330X	C CAPACITOR		
	C 119	NCB31CK-104X	C CAPACITOR				C 234	NCB31HK-331X	C CAPACITOR		
	C 120	NCB31CK-104X	C CAPACITOR				C 235	NCB31CK-104X	C CAPACITOR		
	C 121	NCB21CK-334X	C CAPACITOR				C 236	NCB31CK-823X	C CAPACITOR		
	C 122	NCS31HJ-121X	C CAPACITOR				C 237	NCB31CK-823X	C CAPACITOR		
	C 123	NCB31CK-104X	C CAPACITOR				C 241	NCB31CK-104X	C CAPACITOR		
	C 124	NCB31CK-104X	C CAPACITOR				C 242	NEA70JM-107X	E.CAPACITOR		
	C 125	NCB31CK-104X	C CAPACITOR				C 251	NCB31CK-104X	C CAPACITOR		
	C 126	NCS31HJ-221X	C CAPACITOR				C 252	NCB31CK-104X	C CAPACITOR		
	C 127	NCS31HJ-221X	C CAPACITOR				C 253	NCB31CK-104X	C CAPACITOR		
	C 128	NCB31CK-104X	C CAPACITOR				C 254	NCB31CK-104X	C CAPACITOR		
	C 129	NCB21CK-224X	C CAPACITOR				C 255	NEA70JM-226X	E CAPACITOR		
	C 130	NCB31HK-102X	C CAPACITOR				C 256	NCB31CK-104X	C CAPACITOR		
	C 131	NCB31HK-681X	C CAPACITOR				C 257	NCB31CK-104X	C CAPACITOR		
	C 132	NCB31CK-104X	C CAPACITOR				C 258	NEA71CM-226X	E.CAPAP. C.M		
	C 133	NEX40JM-566X	E CAPACITOR				C 259	NCB31CK-104X	C CAPACITOR		
	C 134	NCB31CK-104X	C CAPACITOR				C 260	NCB31CK-104X	C CAPACITOR		
	C 135	NCS31HJ-221X	C CAPACITOR				C 261	NCB31CK-104X	C CAPACITOR		
	C 136	NCB31CK-104X	C CAPACITOR				C 262	NCB31CK-104X	C CAPACITOR		
	C 137	NCB31CK-104X	C CAPACITOR				C 263	NCB31CK-104X	C CAPACITOR		
	C 138	NCB31CK-104X	C CAPACITOR				C 264	NCB31CK-104X	C CAPACITOR		
	C 139	NCB31CK-104X	C CAPACITOR				C 271	NCB31CK-104X	C CAPACITOR		
	C 140	NCB31CK-104X	C CAPACITOR				C 273	NCB31HK-102X	C CAPACITOR		
	C 141	NCS31HJ-820X	C CAPACITOR				C 275	NCB31HK-102X	C CAPACITOR		
	C 142	NCB31HK-222X	C CAPACITOR				C 276	NCB31CK-104X	C CAPACITOR		
	C 143	NCB21CK-224X	C CAPACITOR				C 281	NEA70JM-226X	E CAPACITOR		
	C 144	NCB31CK-104X	C CAPACITOR				C 282	NCB31CK-104X	C CAPACITOR		
	C 145	NCB11CK-105X	C CAPACITOR				C 284	NCB31HK-102X	C CAPACITOR		
	C 151	NEX40JM-156X	E.CAPACITOR				C 286	NCB31HK-102X	C CAPACITOR		
	C 152	NEX40JM-156X	E.CAPACITOR				C 287	NCB31CK-104X	C CAPACITOR		
	C 153	NCB31CK-104X	C CAPACITOR				C 288	NEA71CM-226X	E.CAPAP. C.M		
	C 154	NCB31CK-104X	C CAPACITOR				C 290	NCB31CK-104X	C CAPACITOR		
	C 191	NCB31CK-104X	C CAPACITOR				C 291	NCB31CK-104X	C CAPACITOR		
	C 192	NEA70JM-107X	E.CAPACITOR				C 292	NEA71CM-476X	E CAPACITOR		
	C 201	NCB31CK-104X	C CAPACITOR				C 301	NCB31CK-104X	C CAPACITOR		
	C 202	NCB31CK-393X	C CAPACITOR				C 302	NCB31CK-104X	C CAPACITOR		
	C 203	NCB31CK-393X	C CAPACITOR				C 303	NCB31CK-104X	C CAPACITOR		
	C 204	NCB31CK-393X	C CAPACITOR				C 304	NCB31CK-104X	C CAPACITOR		
	C 205	NCB31CK-393X	C CAPACITOR				C 305	NCB31CK-104X	C CAPACITOR		
	C 206	NCB31CK-104X	C CAPACITOR				C 306	NCB31CK-104X	C CAPACITOR		
	C 208	NCB31CK-104X	C CAPACITOR				C 307	NCB31CK-104X	C CAPACITOR		
	C 209	NCB31CK-104X	C CAPACITOR				C 308	NCB31CK-103X	C CAPACITOR		
	C 210	NCB31CK-104X	C CAPACITOR				C 309	NCB31CK-104X	C CAPACITOR		

■ Electrical parts list (Main board : XV-D723GD)

Block No. 01

△	Item	Parts number	Parts name	Remarks	Area
	C 310	NCB31CK-104X	C CAPACITOR		
	C 311	NCB31CK-104X	C CAPACITOR		
	C 314	NCB31CK-104X	C CAPACITOR		
	C 315	NCB31CK-104X	C CAPACITOR		
	C 316	NEA70JM-107X	E.CAPACITOR		
	C 317	NCB11CK-105X	C CAPACITOR		
	C 318	NCB31CK-104X	C CAPACITOR		
	C 319	NCB31CK-104X	C CAPACITOR		
	C 320	NCB31CK-104X	C CAPACITOR		
	C 321	NCB31CK-104X	C CAPACITOR		
	C 322	NEA70JM-107X	E.CAPACITOR		
	C 323	NCB11CK-105X	C CAPACITOR		
	C 324	NCB31CK-104X	C CAPACITOR		
	C 325	NCB31CK-104X	C CAPACITOR		
	C 351	NEA70JM-107X	E.CAPACITOR		
	C 352	NCB31CK-104X	C CAPACITOR		
	C 353	NCB31CK-104X	C CAPACITOR		
	C 354	NCB31CK-104X	C CAPACITOR		
	C 355	NCB31CK-104X	C CAPACITOR		
	C 356	NCB31CK-104X	C CAPACITOR		
	C 357	NCB31CK-104X	C CAPACITOR		
	C 358	NCB31CK-104X	C CAPACITOR		
	C 359	NCB31CK-104X	C CAPACITOR		
	C 360	NCB31CK-104X	C CAPACITOR		
	C 361	NCB31CK-104X	C CAPACITOR		
	C 362	NCB31CK-104X	C CAPACITOR		
	C 363	NCB31CK-104X	C CAPACITOR		
	C 364	NCB31CK-104X	C CAPACITOR		
	C 365	NCB31CK-104X	C CAPACITOR		
	C 366	NCB31CK-104X	C CAPACITOR		
	C 367	NCB31CK-104X	C CAPACITOR		
	C 368	NCS31HJ-100X	C CAPACITOR		
	C 369	NCS31HJ-100X	C CAPACITOR		
	C 370	NCB31CK-104X	C CAPACITOR		
	C 381	NCB31CK-104X	C CAPACITOR		
	C 391	NCB31CK-104X	C CAPACITOR		
	C 392	NEA70JM-226X	E CAPACITOR		
	C 401	NCB31CK-104X	C CAPACITOR		
	C 402	NCB31CK-104X	C CAPACITOR		
	C 405	NCB31CK-104X	C CAPACITOR		
	C 406	NCB31CK-104X	C CAPACITOR		
	C 407	NCB31CK-104X	C CAPACITOR		
	C 408	NEA70JM-226X	E CAPACITOR		
	C 409	NCB31CK-104X	C CAPACITOR		
	C 411	NCB31CK-104X	C CAPACITOR		
	C 441	NCB31CK-104X	C CAPACITOR		
	C 442	NEX40JM-156X	E.CAPACITOR		
	C 501	NCB31CK-104X	C CAPACITOR		
	C 502	NCB31CK-104X	C CAPACITOR		
	C 503	NCB31CK-104X	C CAPACITOR		
	C 504	NCB31CK-104X	C CAPACITOR		
	C 505	NCB31CK-104X	C CAPACITOR		
	C 506	NCB31CK-104X	C CAPACITOR		
	C 507	NCB31CK-104X	C CAPACITOR		
	C 508	NCB31CK-104X	C CAPACITOR		
	C 509	NCB31CK-104X	C CAPACITOR		
	C 510	NCB31CK-104X	C CAPACITOR		
	C 511	NEA70JM-226X	E CAPACITOR		
	C 512	NCB31CK-104X	C CAPACITOR		
	C 513	NCB31CK-104X	C CAPACITOR		
	C 514	NCB31CK-104X	C CAPACITOR		
	C 515	NCB31CK-104X	C CAPACITOR		
	C 516	NCB31CK-104X	C CAPACITOR		
	C 517	NCB31CK-104X	C CAPACITOR		

△	Item	Parts number	Parts name	Remarks	Area
	C 518	NCB31CK-104X	C CAPACITOR		
	C 519	NCB31CK-104X	C CAPACITOR		
	C 520	NCB31CK-104X	C CAPACITOR		
	C 521	NEA70JM-226X	E CAPACITOR		
	C 522	NCB31CK-104X	C CAPACITOR		
	C 523	NCB31CK-104X	C CAPACITOR		
	C 524	NEA70JM-226X	E CAPACITOR		
	C 525	NCB31CK-104X	C CAPACITOR		
	C 526	NCB31CK-104X	C CAPACITOR		
	C 527	NEA70JM-107X	E.CAPACITOR		
	C 528	NCB31CK-104X	C CAPACITOR		
	C 529	NCB31CK-104X	C CAPACITOR		
	C 530	NCB31CK-104X	C CAPACITOR		
	C 531	NCB31CK-104X	C CAPACITOR		
	C 532	NCB31CK-104X	C CAPACITOR		
	C 533	NCB31CK-104X	C CAPACITOR		
	C 534	NCB31CK-104X	C CAPACITOR		
	C 535	NCB31CK-104X	C CAPACITOR		
	C 536	NCB31CK-104X	C CAPACITOR		
	C 537	NEA70JM-226X	E CAPACITOR		
	C 538	NCB31CK-104X	C CAPACITOR		
	C 539	NCB31CK-104X	C CAPACITOR		
	C 540	NCB31CK-104X	C CAPACITOR		
	C 541	NCB31CK-104X	C CAPACITOR		
	C 542	NCB31CK-104X	C CAPACITOR		
	C 543	NCB31CK-104X	C CAPACITOR		
	C 544	NCB31CK-104X	C CAPACITOR		
	C 545	NCB31CK-104X	C CAPACITOR		
	C 547	NCB31CK-104X	C CAPACITOR		
	C 548	NCB31CK-104X	C CAPACITOR		
	C 549	NEA70JM-107X	E.CAPACITOR		
	C 550	NCB31CK-104X	C CAPACITOR		
	C 551	NEA70JM-476X	E.CAPACITOR		
	C 554	NCB31CK-104X	C CAPACITOR		
	C 555	NCB31CK-104X	C CAPACITOR		
	C 556	NEA70JM-226X	E CAPACITOR		
	C 557	NCB31CK-104X	C CAPACITOR		
	C 558	NEA70JM-226X	E CAPACITOR		
	C 568	NEA70JM-226X	E CAPACITOR		
	C 569	NCB31CK-104X	C CAPACITOR		
	C 571	NEA70JM-226X	E CAPACITOR		
	C 572	NCB31CK-104X	C CAPACITOR		
	C 573	NEA70JM-107X	E.CAPACITOR		
	C 574	NCB31CK-104X	C CAPACITOR		
	C 575	NCB31CK-104X	C CAPACITOR		
	C 578	NCB31CK-104X	C CAPACITOR		
	C 579	NCB31HK-221X	C CAPACITOR		
	C 580	NEA70JM-226X	E CAPACITOR		
	C 581	NEA70JM-226X	E CAPACITOR		
	C 582	NEA70JM-226X	E CAPACITOR		
	C 584	NCB31HK-221X	C CAPACITOR		
	C 601	NEA70JM-226X	E CAPACITOR		
	C 602	NEA70JM-226X	E CAPACITOR		
	C 619	NCB31CK-104X	C CAPACITOR		
	C 620	NCB31CK-104X	C CAPACITOR		
	C 621	NCB31CK-104X	C CAPACITOR		
	C 622	NCB31CK-104X	C CAPACITOR		
	C 623	NCB31HK-221X	C CAPACITOR		
	C 624	NCB31HK-221X	C CAPACITOR		
	C 626	NCB31CK-104X	C CAPACITOR		
	C 627	NEA70JM-226X	E CAPACITOR		
	C 630	NCB31CK-104X	C CAPACITOR		
	C 634	NCB31CK-104X	C CAPACITOR		
	C 635	NCB31HK-221X	C CAPACITOR		

■ Electrical parts list (Main board : XV-D723GD)

Block No. 01

△	Item	Parts number	Parts name	Remarks	Area
	C 992	NCB31CK-104X	C CAPACITOR		
	C 993	NCB31CK-104X	C CAPACITOR		
	C 994	NCB31CK-104X	C CAPACITOR		
	C 995	NCB31CK-104X	C CAPACITOR		
	C 996	NCB31CK-104X	C CAPACITOR		
	C 997	NCB31CK-104X	C CAPACITOR		
	C 998	NCB31CK-104X	C CAPACITOR		
	C 999	NEA70JM-226X	E CAPACITOR		
	CN101	QGF1016C2-21W	CONNECTOR	MECHA	
	CN102	QGF1016F2-17W	CONNECTOR	MECHA	
	CN103	QGF1016F2-07W	CONNECTOR C.M	LOADING	
	CN104	QGA2001F2-06X	CONNECTOR C.M	POWER	
	CN105	QGF1016C2-05W	CONNECTOR		
	CN502	QGF1016F2-23W	CONNECTOR	AUDIO	
	CN503	QGF1016F2-09W	CONNECTOR C.M	FRONT	
	CN504	QGF1016F2-11W	CONNECTOR C.M	VIDEO	
	D 201	1SS355-X	DIODE		
	D 202	1SS355-X	DIODE		
	D 203	1SS355-X	DIODE		
	D 272	DAP202K-X	D.TR. C.M		
	D 402	1SS355-X	DIODE		
	D 403	1SS355-X	DIODE		
	D 503	1SS355-X	DIODE		
	D 504	1SS355-X	DIODE		
	IC101	AN8706FHQ	IC		
	IC102	RNSRZ20BA-X	IC		
	IC201	MN67705EA	IC		
	IC251	AN8485SB-W	IC		
	IC271	BA5983FM-X	IC		
	IC301	MN103007BGA	IC		
	IC351	JCV8005-2	IC		
	IC381	TC74HCT32AF-X	IC(DIGITAL)		
	IC401	MN102L25GGB	IC	MASK	
	IC402	AK93C65AF-X	IC		
	IC501	NDV8501VWA	IC	JAGUAR	
	IC502	NAX0265-001X	IC	27MHZ	
	IC504	K4S161622D-TC80	IC		4U
	IC504	HY57V161610DTC8	IC		*1,A,J,UF
	IC505	K4S161622D-TC80	IC		4U
	IC505	HY57V161610DTC8	IC		*1,A,J,UF
	IC508	SST39VF160-02H	IC		
	IC509	SST39VF160-02L	IC		
	IC510	AK93C65AF-X	IC		
	IC511	LP3962ES-2.5-W	IC		
	IC512	TC74LCX373FT-X	IC(DIGITAL)		
	IC513	TC74LCX373FT-X	IC(DIGITAL)		
	IC516	TC74VHC595FT-X	IC(MONOLITHIC)		
	IC517	TC74VHCT14AFT-X	DIGITAL)		
	IC518	TC7W04FU-X	IC(DIGITAL)		
	IC519	TC74HCT32AF-X	IC(DIGITAL)		
	K 101	NQR0007-002X	FERRITE BEADS		
	K 102	NQR0007-002X	FERRITE BEADS		
	K 103	NQR0007-002X	FERRITE BEADS		
	K 151	NQR0007-002X	FERRITE BEADS		
	K 152	NQR0007-002X	FERRITE BEADS		
	K 153	NQR0007-002X	FERRITE BEADS		
	K 154	NQR0007-002X	FERRITE BEADS		
	K 155	NQR0007-002X	FERRITE BEADS		
	K 156	NQR0007-002X	FERRITE BEADS		
	K 157	NQR0007-002X	FERRITE BEADS		
	K 158	NQR0007-002X	FERRITE BEADS		
	K 159	NQR0007-002X	FERRITE BEADS		
	K 160	NQR0007-002X	FERRITE BEADS		
	K 201	NQR0007-002X	FERRITE BEADS		

△	Item	Parts number	Parts name	Remarks	Area
	K 202	NQR0007-002X	FERRITE BEADS		
	K 251	NQR0007-002X	FERRITE BEADS		
	K 271	NQR0007-002X	FERRITE BEADS		
	K 301	NQR0007-002X	FERRITE BEADS		
	K 302	NQR0007-002X	FERRITE BEADS		
	K 351	NQR0007-002X	FERRITE BEADS		
	K 371	NQR0007-002X	FERRITE BEADS		
	K 381	NQR0007-002X	FERRITE BEADS		
	K 401	NQR0007-002X	FERRITE BEADS		
	K 402	NQR0007-002X	FERRITE BEADS		
	K 501	NQR0007-002X	FERRITE BEADS		
	K 502	NQR0007-002X	FERRITE BEADS		
	K 503	NRSA02J-0R0X	MG RESISTOR		
	K 504	NQR0007-002X	FERRITE BEADS		
	K 505	NQR0007-002X	FERRITE BEADS		
	K 506	NQR0007-002X	FERRITE BEADS		
	K 507	NQR0007-002X	FERRITE BEADS		
	K 508	NQR0007-002X	FERRITE BEADS		
	K 509	NQR0007-002X	FERRITE BEADS		
	K 510	NQR0007-002X	FERRITE BEADS		
	K 512	NQR0007-002X	FERRITE BEADS		
	K 513	NQR0007-002X	FERRITE BEADS		
	K 516	NQR0007-002X	FERRITE BEADS		
	K 518	NQR0007-002X	FERRITE BEADS		
	K 519	NQR0007-002X	FERRITE BEADS		
	K 521	NQR0007-002X	FERRITE BEADS		
	K 523	NQR0007-002X	FERRITE BEADS		
	K 556	NQR0007-002X	FERRITE BEADS		
	K 557	NQR0007-002X	FERRITE BEADS		
	K 558	NQR0007-002X	FERRITE BEADS		
	K 559	NQR0007-002X	FERRITE BEADS		
	K 561	NQR0007-002X	FERRITE BEADS		
	K 562	NQR0007-002X	FERRITE BEADS		
	K 563	NQR0007-002X	FERRITE BEADS		
	K 564	NQR0007-002X	FERRITE BEADS		
	K 565	NQR0007-002X	FERRITE BEADS		
	K 566	NQR0007-002X	FERRITE BEADS		
	K 567	NQR0007-002X	FERRITE BEADS		
	K 568	NQR0007-002X	FERRITE BEADS		
	K 569	NQR0007-002X	FERRITE BEADS		
	K 570	NQR0007-002X	FERRITE BEADS		
	K 571	NQR0007-002X	FERRITE BEADS		
	K 572	NQR0007-002X	FERRITE BEADS		
	K 573	NQR0007-002X	FERRITE BEADS		
	K 574	NQR0007-002X	FERRITE BEADS		
	K 575	NQR0007-002X	FERRITE BEADS		
	K 576	NQR0007-002X	FERRITE BEADS		
	K 577	NQR0007-002X	FERRITE BEADS		
	K 578	NQR0007-002X	FERRITE BEADS		
	K 579	NQR0007-002X	FERRITE BEADS		
	K 581	NQR0007-002X	FERRITE BEADS		
	K 582	NQR0007-002X	FERRITE BEADS		
	K 583	NQR0007-002X	FERRITE BEADS		
	K 586	NQR0007-002X	FERRITE BEADS		
	K 588	NQR0007-002X	FERRITE BEADS		
	K 593	NQR0007-002X	FERRITE BEADS		
	K 594	NQR0007-002X	FERRITE BEADS		
	L 191	NQL044K-100X	INDUCTOR		
	L 241	NQL044K-100X	INDUCTOR		
	Q 101	2SB1424/QR/-X	TRANSISTOR		
	Q 102	DTC124EE-X	DIGI TRANSISTOR		
	Q 103	DTA124EE-X	DIGI TRANSISTOR		
	Q 104	DTC124EE-X	DIGI TRANSISTOR		
	Q 105	DTC144EE-X			

*1:EG,EN,ES

■ Electrical parts list (Main board : XV-D723GD)

Block No. 01

△	Item	Parts number	Parts name	Remarks	Area
	Q 251	DTC144EE-X	TRANSISTOR		
	Q 252	DTC144EE-X	TRANSISTOR		
	Q 253	DTC144EE-X	TRANSISTOR		
	Q 254	DTC144EE-X	TRANSISTOR		
	Q 255	DTC144EE-X	TRANSISTOR		
	R 101	NRS125J-270X	MG RESISTOR		
	R 102	NRS125J-2R2X	MG RESISTOR		
	R 103	NRSA63J-123X	MG RESISTOR		
	R 104	NRSA63J-103X	MG RESISTOR		
	R 106	NRSA63J-223X	MG RESISTOR		
	R 108	NRSA63J-103X	MG RESISTOR		
	R 109	NRSA63J-823X	MG RESISTOR		
	R 110	NRSA63J-393X	MG RESISTOR		
	R 112	NRVA63D-123X	MG RESISTOR		
	R 113	NRSA63J-393X	MG RESISTOR		
	R 114	NRSA63J-272X	MG RESISTOR		
	R 115	NRSA63J-223X	MG RESISTOR		
	R 116	NRSA63J-103X	MG RESISTOR		
	R 117	NRSA63J-223X	MG RESISTOR		
	R 118	NRSA63J-153X	MG RESISTOR		
	R 119	NRSA63J-155X	MG RESISTOR		
	R 120	NRVA63D-332X	MF RESISTOR		
	R 121	NRSA63J-474X	MG RESISTOR		
	R 122	NRSA63J-474X	MG RESISTOR		
	R 123	NRSA63J-822X	MG RESISTOR		
	R 124	NRSA63J-183X	MG RESISTOR		
	R 125	NRSA63J-154X	MG RESISTOR		
	R 126	NRSA63J-564X	MG RESISTOR		
	R 127	NRSA63J-123X	MG RESISTOR		
	R 128	NRSA63J-223X	MG RESISTOR		
	R 129	NRSA63J-103X	MG RESISTOR		
	R 130	NRSA63J-822X	MG RESISTOR		
	R 131	NRSA63J-0R0X	MG RESISTOR		
	R 201	NRSA63J-102X	MG RESISTOR		
	R 202	NRSA63J-102X	MG RESISTOR		
	R 203	NRSA63J-102X	MG RESISTOR		
	R 204	NRSA63J-102X	MG RESISTOR		
	R 205	NRSA63J-473X	MG RESISTOR		
	R 206	NRSA63J-102X	MG RESISTOR		
	R 207	NRSA63J-473X	MG RESISTOR		
	R 208	NRSA63J-102X	MG RESISTOR		
	R 209	NRSA63J-473X	MG RESISTOR		
	R 210	NRSA63J-473X	MG RESISTOR		
	R 211	NRSA63J-102X	MG RESISTOR		
	R 212	NRSA63J-102X	MG RESISTOR		
	R 213	NRSA63J-183X	MG RESISTOR		
	R 214	NRSA63J-822X	MG RESISTOR		
	R 215	NRSA63J-473X	MG RESISTOR		
	R 216	NRSA63J-473X	MG RESISTOR		
	R 217	NRSA63J-0R0X	MG RESISTOR		
	R 218	NRSA63J-0R0X	MG RESISTOR		
	R 219	NRSA63J-0R0X	MG RESISTOR		
	R 220	NRSA63J-472X	MG RESISTOR		
	R 221	NRSA63J-0R0X	MG RESISTOR		
	R 222	NRSA63J-0R0X	MG RESISTOR		
	R 223	NRSA63J-0R0X	MG RESISTOR		
	R 224	NRSA63J-0R0X	MG RESISTOR		
	R 225	NRSA63J-0R0X	MG RESISTOR		
	R 226	NRSA63J-0R0X	MG RESISTOR		
	R 227	NRSA63J-0R0X	MG RESISTOR		
	R 228	NRSA63J-103X	MG RESISTOR		
	R 229	NRSA63J-0R0X	MG RESISTOR		
	R 230	NRSA63J-103X	MG RESISTOR		
	R 231	NRVA63D-683X	MF RESISTOR		

△	Item	Parts number	Parts name	Remarks	Area
	R 232	NRVA63D-683X	MF RESISTOR		
	R 233	NRSA63J-103X	MG RESISTOR		
	R 234	NRSA63J-103X	MG RESISTOR		
	R 235	NRSA63J-473X	MG RESISTOR		
	R 236	NRSA63J-123X	MG RESISTOR		
	R 237	NRSA63J-0R0X	MG RESISTOR		
	R 238	NRSA63J-223X	MG RESISTOR		
	R 239	NRSA63J-333X	MG RESISTOR		
	R 240	NRSA63J-333X	MG RESISTOR		
	R 241	NRVA63D-362X	MG RESISTOR		
	R 242	NRSA63J-102X	MG RESISTOR		
	R 243	NRSA63J-472X	MG RESISTOR		
	R 244	NRSA63J-102X	MG RESISTOR		
	R 245	NRVA63D-103X	MF RESISTER		
	R 246	NRVA63D-183X	MG RESISTOR		
	R 247	NRVA63D-103X	MF RESISTER		
	R 248	NRVA63D-183X	MG RESISTOR		
	R 249	NRSA63J-102X	MG RESISTOR		
	R 251	NRSA63J-271X	MG RESISTOR		
	R 252	NRSA63J-271X	MG RESISTOR		
	R 253	NRSA63J-0R0X	MG RESISTOR		
	R 254	NRSA63J-0R0X	MG RESISTOR		
	R 255	NRSA63J-103X	MG RESISTOR		
	R 256	NRSA63J-103X	MG RESISTOR		
	R 257	NRSA63J-103X	MG RESISTOR		
	R 258	NRSA63J-103X	MG RESISTOR		
	R 259	NRSA63J-103X	MG RESISTOR		
	R 260	NRSA63J-562X	MG RESISTOR		
	R 261	NRSA63J-563X	MG RESISTOR		
	R 262	NRS125J-R47X	MG RESISTOR		
	R 263	NRSA63J-103X	MG RESISTOR		
	R 264	NRSA63J-103X	MG RESISTOR		
	R 267	NRSA63J-103X	MG RESISTOR		
	R 268	NRS181J-2R2X	MG RESISTOR		
	R 271	NRSA63J-243X	MG RESISTOR		
	R 272	NRSA63J-103X	MG RESISTOR		
	R 273	NRSA63J-103X	MG RESISTOR		
	R 274	NRSA63J-0R0X	MG RESISTOR		
	R 275	NRSA63J-243X	MG RESISTOR		
	R 276	NRSA63J-103X	MG RESISTOR		
	R 277	NRSA63J-103X	MG RESISTOR		
	R 278	NRSA63J-0R0X	MG RESISTOR		
	R 279	NRSA63J-473X	MG RESISTOR		
	R 280	NRSA63J-0R0X	MG RESISTOR		
	R 282	NRSA63J-273X	MG RESISTOR		
	R 283	NRSA63J-103X	MG RESISTOR		
	R 284	NRSA63J-103X	MG RESISTOR		
	R 285	NRSA63J-0R0X	MG RESISTOR		
	R 286	NRSA63J-273X	MG RESISTOR		
	R 287	NRSA63J-103X	MG RESISTOR		
	R 288	NRSA63J-103X	MG RESISTOR		
	R 289	NRSA63J-0R0X	MG RESISTOR		
	R 291	NRSA63J-102X	MG RESISTOR		
	R 301	NRSA63J-473X	MG RESISTOR		
	R 302	NRSA63J-473X	MG RESISTOR		
	R 303	NRSA63J-473X	MG RESISTOR		
	R 304	NRSA63J-473X	MG RESISTOR		
	R 305	NRSA63J-473X	MG RESISTOR		
	R 306	NRSA63J-473X	MG RESISTOR		
	R 307	NRSA63J-473X	MG RESISTOR		
	R 308	NRSA63J-473X	MG RESISTOR		
	R 310	NRSA63J-102X	MG RESISTOR		
	R 311	NRSA63J-102X	MG RESISTOR		
	R 312	NRSA63J-102X	MG RESISTOR		

■ Electrical parts list (Main board : XV-D723GD)

Block No. 01

△	Item	Parts number	Parts name	Remarks	Area
	R 313	NRSA63J-0R0X	MG RESISTOR		
	R 314	NRSA63J-0R0X	MG RESISTOR		
	R 317	NRSA63J-473X	MG RESISTOR		
	R 318	NRSA63J-0R0X	MG RESISTOR		
	R 319	NRSA63J-0R0X	MG RESISTOR		
	R 322	NRSA63J-473X	MG RESISTOR		
	R 324	NRSA63J-473X	MG RESISTOR		
	R 328	NRSA63J-473X	MG RESISTOR		
	R 351	NRSA63J-105X	MG RESISTOR		
	R 352	NRSA63J-102X	MG RESISTOR		
	R 353	NRSA63J-472X	MG RESISTOR		
	R 354	NRSA63J-0R0X	MG RESISTOR		
	R 355	NRSA63J-0R0X	MG RESISTOR		
	R 356	NRSA63J-0R0X	MG RESISTOR		
	R 361	NRSA63J-102X	MG RESISTOR		
	R 362	NRSA63J-102X	MG RESISTOR		
	R 363	NRSA63J-102X	MG RESISTOR		
	R 364	NRSA63J-102X	MG RESISTOR		
	R 365	NRSA63J-102X	MG RESISTOR		
	R 366	NRSA63J-102X	MG RESISTOR		
	R 367	NRSA63J-102X	MG RESISTOR		
	R 368	NRSA63J-102X	MG RESISTOR		
	R 391	NRSA63J-152X	MG RESISTOR		
	R 392	NRSA63J-152X	MG RESISTOR		
	R 393	NRSA63J-152X	MG RESISTOR		
	R 394	NRSA63J-152X	MG RESISTOR		
	R 395	NRSA63J-152X	MG RESISTOR		
	R 396	NRSA63J-152X	MG RESISTOR		
	R 397	NRSA63J-152X	MG RESISTOR		
	R 398	NRSA63J-152X	MG RESISTOR		
	R 401	NRSA63J-102X	MG RESISTOR		
	R 402	NRSA63J-102X	MG RESISTOR		
	R 403	NRSA63J-472X	MG RESISTOR		
	R 405	NRSA63J-472X	MG RESISTOR		
	R 407	NRSA63J-105X	MG RESISTOR		
	R 408	NRSA63J-472X	MG RESISTOR		
	R 411	NRSA63J-472X	MG RESISTOR		
	R 412	NRSA63J-472X	MG RESISTOR		
	R 413	NRSA63J-472X	MG RESISTOR		
	R 414	NRSA63J-472X	MG RESISTOR		
	R 415	NRSA63J-472X	MG RESISTOR		
	R 416	NRSA63J-472X	MG RESISTOR		
	R 418	NRSA63J-472X	MG RESISTOR		
	R 429	NRSA63J-102X	MG RESISTOR		
	R 430	NRSA63J-102X	MG RESISTOR		
	R 431	NRSA63J-102X	MG RESISTOR		
	R 432	NRSA63J-102X	MG RESISTOR		
	R 500	NRSA63J-0R0X	MG RESISTOR		
	R 501	NRSA63J-221X	MG RESISTOR		
	R 503	NRSA63J-330X	MG RESISTOR		
	R 504	NRSA63J-330X	MG RESISTOR		
	R 509	NRSA63J-330X	MG RESISTOR		
	R 510	NRSA63J-330X	MG RESISTOR		
	R 513	NRSA63J-152X	MG RESISTOR		
	R 514	NRSA63J-152X	MG RESISTOR		
	R 515	NRSA63J-152X	MG RESISTOR		
	R 541	NRSA63J-0R0X	MG RESISTOR		
	R 542	NRSA63J-0R0X	MG RESISTOR		
	R 543	NRSA63J-0R0X	MG RESISTOR		
	R 544	NRSA63J-0R0X	MG RESISTOR		
	R 545	NRSA63J-0R0X	MG RESISTOR		
	R 546	NRSA63J-0R0X	MG RESISTOR		
	R 547	NRSA63J-0R0X	MG RESISTOR		
	R 548	NRSA63J-0R0X	MG RESISTOR		

△	Item	Parts number	Parts name	Remarks	Area
	R 549	NRSA63J-0R0X	MG RESISTOR		
	R 550	NRSA63J-0R0X	MG RESISTOR		
	R 551	NRSA63J-0R0X	MG RESISTOR		
	R 552	NRSA63J-0R0X	MG RESISTOR		
	R 553	NRSA63J-0R0X	MG RESISTOR		
	R 562	NRSA63J-223X	MG RESISTOR		
	R 565	NRVA63D-472X	CMF RESISTOR		
	R 566	NRVA63D-132X	MG.RESI C.M		
	R 567	NRVA63D-820X	RES. C.M		4U,A,J,JUF
	R 567	NRVA63D-750X	MF RESISTOR		*1
	R 568	NRVA63D-750X	MF RESISTOR		
	R 569	NRVA63D-750X	MF RESISTOR		
	R 570	NRSA63J-100X	MG RESISTOR		
	R 572	NRVA63D-750X	MF RESISTOR		4U,A,J,JUF
	R 572	NRVA63D-820X	RES. C.M		*1
	R 573	NRSA63J-162X	MG RESISTOR		
	R 574	NRSA63J-162X	MG RESISTOR		
	R 575	NRSA63J-101X	MG RESISTOR		
	R 576	NRSA63J-750X	MG RESISTOR		
	R 578	NRSA63J-151X	MG RESISTOR		
	R 579	NRSA63J-151X	MG RESISTOR		
	R 580	NRSA63J-151X	MG RESISTOR		
	R 581	NRSA63J-151X	MG RESISTOR		
	R 583	NRSA63J-101X	MG RESISTOR		
	R 596	NRSA63J-750X	MG RESISTOR		
	R 597	NRSA63J-103X	MG RESISTOR		
	R 628	NRSA63J-152X	MG RESISTOR		
	R 629	NRSA63J-152X	MG RESISTOR		
	R 632	NRSA63J-152X	MG RESISTOR		
	R 633	NRSA63J-152X	MG RESISTOR		
	R 634	NRSA63J-152X	MG RESISTOR		
	R 635	NRSA63J-152X	MG RESISTOR		
	R 638	NRSA63J-152X	MG RESISTOR		
	R 639	NRSA63J-152X	MG RESISTOR		
	R 649	NRSA63J-330X	MG RESISTOR		
	R 650	NRSA63J-330X	MG RESISTOR		
	R 651	NRSA63J-330X	MG RESISTOR		
	R 652	NRSA63J-330X	MG RESISTOR		
	R 655	NRSA63J-0R0X	MG RESISTOR		
	R 656	NRSA63J-0R0X	MG RESISTOR		
	R 657	NRSA63J-0R0X	MG RESISTOR		
	R 658	NRSA63J-0R0X	MG RESISTOR		
	R 659	NRSA63J-0R0X	MG RESISTOR		
	R 660	NRSA63J-0R0X	MG RESISTOR		
	R 661	NRSA63J-0R0X	MG RESISTOR		
	R 662	NRSA63J-0R0X	MG RESISTOR		
	R 663	NRSA63J-0R0X	MG RESISTOR		
	R 664	NRSA63J-0R0X	MG RESISTOR		
	R 665	NRSA63J-0R0X	MG RESISTOR		
	X 351	NAX0277-002X	CRYSTAL	33.8688MHZ	
	X 401	NAX0331-001X	C RESONATOR		

*1:EG,EN,ES

■ Electrical parts list (Front & Power Supply board : XV-D723GD)

Block No. 02

△	Item	Parts number	Parts name	Remarks	Area	△	Item	Parts number	Parts name	Remarks	Area
	C1200	QDVB1EZ-223Y	C CAPACITOR				D1204	1SS119-02-T2	SI DIODE		
	C1201	QER61AM-476Z	E CAPACITOR	47MF 20% 10V			D1210	SLR-342DC-T	LED I.M	DISPLAY OFF	
	C1202	QCFB1HZ-104Y	C CAPACITOR	.10MF +80~-20%			D1211	SELU2E10C	LED	DVD AUDIO	
	C1203	QCFB1HZ-104Y	C CAPACITOR	.10MF +80~-20%			D1212	SLR-342MC-T	LED	44.1KHZ	4U,A,J,UF
	C1204	QER61AM-476Z	E CAPACITOR	47MF 20% 10V			D1213	SLR-342DC-T	LED I.M	48KHZ	
	C1205	QCFB1HZ-104Y	C CAPACITOR	.10MF +80~-20%			D1214	SLR-342DC-T	LED I.M	96KHZ	
	C1206	QER61HM-475Z	E CAPACITOR	4.7MF 20% 50V			D1215	SLR-342DC-T	LED I.M	192KHZ	
	C1207	QER61HM-475Z	E CAPACITOR	4.7MF 20% 50V			D1216	SLR-342VC-T	LED	STANDBY	
	C1301	QFZ9067-683	C CAPACITOR	.068MF			D1301	S1WB/A/60-4101	BRIDGE DIODE		
	C1302	QCZ9079-222	C CAPACITOR	2200PF	*1,4U,A,UF		D1303	ERA18-04-T1	FR DIODE		
	C1302	QCZ9079-102	C CAPACITOR	1000PF	J		D1304	ERA18-04-T1	FR DIODE		
	C1303	QCZ9079-222	C CAPACITOR	2200PF	*1,4U,A,UF		D1305	ERA18-04-T1	FR DIODE		
	C1303	QCZ9079-102	C CAPACITOR	1000PF	J		D1306	ERA18-04-T1	FR DIODE		
	C1304	QEZO445-127	E.CAPACITOR	U	4U,A,UF		D1307	ERA18-04-T1	FR DIODE		
	C1304	QEZO374-826	E.CAPACITOR	E	*1		D1311	1SS133-T2	SI DIODE		
	C1304	QETM2DM-157	E CAPACITOR	J,C,DOM	J		D1312	1SS133-T2	SI DIODE		
	C1305	QCZO136-332Z	C CAPACITOR	3300PF			D1313	1SS133-T2	SI DIODE		
	C1306	QCZO136-221Z	C CAPACITOR	220PF			D1314	1SS133-T2	SI DIODE		
	C1307	QCBB1HK-471Y	C CAPACITOR	470PF 10% 50V			D1315	1SS133-T2	SI DIODE		
	C1308	QCZO136-101Z	C CAPACITOR	100PF			D1316	MTZJ12C-T2	ZENER DIODE		
	C1309	QEMU1EM-396Z	E CAPACITOR	39MF 20% 25V			D1317	MTZJ12C-T2	ZENER DIODE		
	C1310	QCBB1HK-221Y	C CAPACITOR	220PF 10% 50V			D1318	ERA18-04-T1	FR DIODE		
	C1311	QCFB1HZ-104Y	C CAPACITOR	.10MF +80~-20%			D1319	ERA18-04-T1	FR DIODE		
	C1313	QTE1C27-108	E CAPACITOR				D1320	ERA18-04-T1	FR DIODE		
	C1314	QTE1C27-108	E CAPACITOR				D1321	ERA18-04-T1	FR DIODE		
	C1315	QTE1C28-107Z	E CAPACITOR				D1322	ERA18-04-T1	FR DIODE		
	C1316	QTE1C28-107Z	E CAPACITOR				D1324	MTZJ2.0A-T2	ZENER DIODE		
	C1317	QTE1C28-227Z	E CAPACITOR				D1326	MTZJ5.1C-T2	ZENER DIODE		
	C1318	QTE1C28-227Z	E CAPACITOR				D1327	FMB-24	FUSEIODE		
	C1319	QEMS1EM-567	E CAPACITOR	560MF 20% 25V			D1328	FMB-24	FUSEIODE		
	C1320	QEMS1EM-567	E CAPACITOR	560MF 20% 25V			D1329	ERA18-04-T1	FR DIODE		
	C1321	QETC1CM-227Z	E CAPACITOR	220MF 20% 16V			D1901	QLF0072-001	FL TUBE		
	C1322	QEMS1CM-827	E CAPACITOR	820MF 20% 16V			EP951	QNZ0136-001Z	EARTH PLATE		
	C1323	QEMU1VM-396Z	E.CAPACITOR	39MF 20% 35V			FC951	QNG0003-001Z	FUSE CLIP		
	C1324	QETC1HM-226Z	E CAPACITOR	22MF 20% 50V			FC952	QNG0003-001Z	FUSE CLIP		
	C1325	QEMU1AM-107Z	E.CAPACITOR	100MF 20% 10V			FL951	E67132-T1R6	T1R6 FUSE LABEL		*1,4U,A,UF
	C1326	QCFB1HZ-104Y	C CAPACITOR	.10MF +80~-20%			FS201	PU59915-105	SPACER		
	C1327	QCFB1HZ-104Y	C CAPACITOR	.10MF +80~-20%			FS202	PU59915-105	SPACER		
	C1328	QCFB1HZ-104Y	C CAPACITOR	.10MF +80~-20%			HS951	LV41785-001A	HEAT SINK		*1,4U,A,UF
	C1329	QCS11HJ-101	C CAPACITOR	100PF 5% 50V			IC901	MN101C35DGA	IC	MASK	
	C1330	QETN1HM-474Z	E CAPACITOR	.47MF 20% 50V			IC902	IC-PST574C-T	IC		
	C1331	QETC1CM-226Z	E CAPACITOR	22MF 20% 16V			IC903	GP1U271X	RM RECIVER		
	C1332	QETC1AM-477Z	E CAPACITOR	470MF 20% 10V			IC951	STR-G6651	IC		
	C1333	QETC1AM-477Z	E CAPACITOR	470MF 20% 10V			IC952	PC123FY	IC(PHOTO COUPLE		*1,4U,A,UF
	C1334	QEMS1AM-108	E CAPACITOR	1000MF 20% 10V			IC952	PC123FY	IC(PHOTO COUPLE	J	
	C1335	QETC1AM-477Z	E CAPACITOR	470MF 20% 10V			IC953	PC123FY	IC(PHOTO COUPLE		*1,4U,A,UF
	C1336	QETC1AM-477Z	E CAPACITOR	470MF 20% 10V			IC953	PC123FY	IC(PHOTO COUPLE	J	
	C1337	QEMS1AM-108	E CAPACITOR	1000MF 20% 10V			IC954	PQ05RF1	IC		
	C1339	QETC1CM-226Z	E CAPACITOR	22MF 20% 16V			IC955	SI-3033C	IC		
	C1340	QETC1CM-227Z	E CAPACITOR	220MF 20% 16V			J 951	QNC0006-001	AC SOCKET		*1,4U,A,UF
	C1345	QFZ9067-683	C CAPACITOR	.068MF			J 951	QNC0046-001	AC INLET		J
	C1350	QCZ0205-155Z	ML C CAPACITOR	1.5MF			K 951	QQR0601-001Z	FERRITE BEADS		
	CN711	QGD2501C1-03Z	SOCKET	TO VIDEO			K 952	QQR0601-001Z	FERRITE BEADS		
	CN815	QGD2501C1-04Z	SOCKET	TO AUDIO			K 953	QQR0601-001Z	FERRITE BEADS		
	CN816	QGF1016C1-09	FFC/FPC CONNE				K 954	QQR0601-001Z	FERRITE BEADS		
	CN817	QGA2001C1-06	6P PLUG ASSY				K 955	QQR0601-001Z	FERRITE BEADS		
	CN818	QGF1205C1-15	CONNECTOR	TO FRONT			K 956	QQR0601-001Z	FERRITE BEADS		
	CN901	QGF1205F1-15	CONNECTOR				L1301	QQL31AK-101Z	INDUCTOR		
	CN903	QGB2003L1-04	CONNECTOR				L1302	QQL31AK-101Z	INDUCTOR		
	CN913	QGB2003M2-04	CONNECTOR				L1303	QQL31AK-101Z	INDUCTOR		
	CP901	ICP-N10-T	ICP				L1304	QQL31AK-101Z	INDUCTOR		
	D1201	1SS119-02-T2	SI DIODE				L1305	QQL31AK-101Z	INDUCTOR		
	D1202	1SS119-02-T2	SI DIODE				Q 901	DTA144ESA-T	DIGITAL_TR TAPE		
	D1203	1SS119-02-T2	SI DIODE				Q 902	2SC1741AS/QR-T	TRANSISTOR		

*1:EG,EN,ES

■ Electrical parts list (Front & Power Supply board : XV-D723GD)

Block No. 02

△	Item	Parts number	Parts name	Remarks	Area
	Q 903	DTC114YSA-T	D.TR.I.M		
	Q1301	2SD2394/EF/	TRANSISTOR		
	Q1302	2SB1565/EF/	TRANSISTOR		
	Q1303	DTA114YSA-T	D.TR.I.M		
	Q1304	DTC144ESA-T	D.TR.I.M		
	Q1305	DTC144ESA-T	D.TR.I.M		
	Q1306	DTA114YSA-T	D.TR.I.M		
	Q1307	2SA933S/RS/-T	TRANSISTOR		
	Q1310	2SC1740S/RS/-T	TRANSISTOR		
	R1201	QRE141J-105Y	C RESISTOR	1.0M 5% 1/4W	
	R1210	QRE141J-750Y	C RESISTOR	75 5% 1/4W	
	R1211	QRE141J-680Y	C RESISTOR	68 5% 1/4W	
	R1212	QRE141J-750Y	C RESISTOR	75 5% 1/4W	4U,A,J,U,F
	R1213	QRE141J-750Y	C RESISTOR	75 5% 1/4W	
	R1214	QRE141J-750Y	C RESISTOR	75 5% 1/4W	
	R1215	QRE141J-750Y	C RESISTOR	75 5% 1/4W	
	R1216	QRE141J-750Y	C RESISTOR	75 5% 1/4W	
	R1217	QRE141J-103Y	C RESISTOR	10K 5% 1/4W	
	R1219	QRE141J-103Y	C RESISTOR	10K 5% 1/4W	
	R1220	QRE141J-104Y	C RESISTOR	100K 5% 1/4W	
	R1300	QRZ9044-335	COMP.RESISTOR	3.3M 1/0W	
	R1301	QRE141J-754Y	C RESISTOR	750K 5% 1/4W	4U,A,U,F
	R1301	QRE141J-474Y	C RESISTOR	470K 5% 1/4W	*1,J
	R1302	QRE141J-754Y	C RESISTOR	750K 5% 1/4W	4U,A,U,F
	R1302	QRE141J-474Y	C RESISTOR	470K 5% 1/4W	*1,J
	R1303	QRT022J-R47	OMF RESISTOR	5% 1/2W	4U,A,J,U,F
	R1303	QRT022J-R56	UNF.MF.RES	5% 1/2W	*1
	R1304	QRE141J-681Y	C RESISTOR	680 5% 1/4W	
	R1305	QRL01DJ-683X	OMF RESISTOR	68K 5% 1/1W	
	R1306	QRE141J-270Y	C RESISTOR	27 5% 1/4W	
	R1307	QRE141J-222Y	C RESISTOR	2.2K 5% 1/4W	
	R1309	QRL027J-683	OMF RESISTOR	68K 5% 1/2W	
	R1310	QRE141J-331Y	C RESISTOR	330 5% 1/4W	
	R1311	QRE141J-331Y	C RESISTOR	330 5% 1/4W	
	R1312	QRE141J-103Y	C RESISTOR	10K 5% 1/4W	
	R1313	QRE141J-103Y	C RESISTOR	10K 5% 1/4W	
	R1314	QRE141J-102Y	C RESISTOR	1.0K 5% 1/4W	
	R1315	QRE141J-102Y	C RESISTOR	1.0K 5% 1/4W	
	R1316	QRE141J-562Y	C RESISTOR	5.6K 5% 1/4W	
	R1317	QRE141J-471Y	C RESISTOR	470 5% 1/4W	
	R1320	QRE141J-221Y	C RESISTOR	220 5% 1/4W	
	R1321	QRE141J-101Y	C RESISTOR	100 5% 1/4W	
	R1322	QRE141J-681Y	C RESISTOR	680 5% 1/4W	
	R1323	QRE141J-221Y	C RESISTOR	220 5% 1/4W	
	R1328	QRE141J-103Y	C RESISTOR	10K 5% 1/4W	
	R1329	QRE141J-101Y	C RESISTOR	100 5% 1/4W	
	R1330	QRE141J-332Y	C RESISTOR	3.3K 5% 1/4W	
	R1350	QRE141J-220Y	C RESISTOR	22 5% 1/4W	
	R1351	QRE141J-220Y	C RESISTOR	22 5% 1/4W	
	R1352	QRE141J-220Y	C RESISTOR	22 5% 1/4W	
	R1353	QRE141J-220Y	C RESISTOR	22 5% 1/4W	
	R1354	QRE141J-220Y	C RESISTOR	22 5% 1/4W	
	R1355	QRE141J-223Y	C RESISTOR	22K 5% 1/4W	
	R1356	QRE141J-220Y	C RESISTOR	22 5% 1/4W	
	R2001	QRE141J-103Y	C RESISTOR	10K 5% 1/4W	
	R2002	QRE141J-331Y	C RESISTOR	330 5% 1/4W	
	RA901	QRB119J-104	R.NETWORK	100K 5% 1/1W	
	RA902	QRB089J-104	R.NETWORK	100K 5% 1/8W	
	RA903	QRB139J-104	R.NETWORK	100K 5% 1/3W	
	RA904	QRB139J-104	R.NETWORK	100K 5% 1/3W	
	RA905	QRB039J-472	R.NETWORK	4.7K 5% 1/3W	
	S 901	QSW0499-001Z	PUSH SW I.M	POWER	
	S 902	QSW0499-001Z	PUSH SW I.M	DISPLAY OFF	
	S 903	QSW0499-001Z	PUSH SW I.M	OPEN/CLOSE	

△	Item	Parts number	Parts name	Remarks	Area
	S 904	QSW0499-001Z	PUSH SW I.M	FWD SKIP	
	S 905	QSW0499-001Z	PUSH SW I.M	BWD SKIP	
	S 906	QSW0499-001Z	PUSH SW I.M	STOP	
	S 907	QSW0499-001Z	PUSH SW I.M	PAUSE	
	S 908	QSW0499-001Z	PUSH SW I.M	PLAY	
△	T 951	QQR0894-001	LINE FILTER		
△	T 952	QQS0068-001	SW TRANSF		
X	X 901	QAX0246-001Z	RESONATOR I.M		

*1:EG,EN,ES

■ Electrical parts list (Audio & Video board : XV-D723GD)

Block No. 03

△	Item	Parts number	Parts name	Remarks	Area	△	Item	Parts number	Parts name	Remarks	Area
	C 701	QTE1A28-108Z	E CAPACITOR		4U,A,J,UF		C 820	QFLC1HJ-561Z	M.CAPA I.M	560PF 5% 50V	
	C 702	QCZ0205-155Z	ML C CAPACITOR	1.5MF	4U,A,J,UF		C 821	QTE0J24-338Z	E.CAPA I/M		
	C 703	QTE1A28-108Z	E CAPACITOR		4U,A,J,UF		C 822	QTE0J24-338Z	E.CAPA I/M		
	C 704	QTE1A28-107Z	E CAPACITOR		4U,A,J,UF		C 823	QCZ0205-155Z	ML C CAPACITOR	1.5MF	
	C 705	QCZ0205-155Z	ML C CAPACITOR	1.5MF	4U,A,J,UF		C 824	QCZ0205-155Z	ML C CAPACITOR	1.5MF	
	C 706	QTE1H28-475Z	E CAPACITOR		4U,A,J,UF		C 825	QFVJ1HJ-224Z	MF CAPACITOR	.22MF 5% 50V	
	C 707	QTE1H28-475Z	E CAPACITOR		4U,A,J,UF		C 826	QTE0J28-477Z	E CAPACITOR		
	C 711	QTE1A28-108Z	E CAPACITOR		4U,A,J,UF		C 827	QFN31HJ-103Z	M CAPACITOR	.010MF 5% 50V	
	C 712	QTE1A28-108Z	E CAPACITOR		4U,A,J,UF		C 828	QCZ0205-155Z	ML C CAPACITOR	1.5MF	
	C 713	QTE1A28-108Z	E CAPACITOR		4U,A,J,UF		C 829	QCZ0205-155Z	ML C CAPACITOR	1.5MF	
	C 714	QTE1A28-107Z	E CAPACITOR		4U,A,J,UF		C 831	QFLC1HJ-152Z	M CAPACITOR	1500PF 5% 50V	
	C 715	QCZ0205-155Z	ML C CAPACITOR	1.5MF	4U,A,J,UF		C 832	QFLC1HJ-152Z	M CAPACITOR	1500PF 5% 50V	
	C 716	QTE1H28-475Z	E CAPACITOR		4U,A,J,UF		C 841	QFLC1HJ-222Z	M CAPACITOR	2200PF 5% 50V	
	C 717	QTE1H28-475Z	E CAPACITOR		4U,A,J,UF		C 842	QFLC1HJ-222Z	M CAPACITOR	2200PF 5% 50V	
	C 718	QTE1H28-475Z	E CAPACITOR		4U,A,J,UF		C 843	QTE1E28-476Z	E CAPACITOR		
	C 722	QCS11HJ-101	C CAPACITOR	100PF 5% 50V	4U,A,J,UF		C 844	QTE1E28-476Z	E CAPACITOR		
	C 743	QTE1C27-228	E CAPACITOR		4U,A,J,UF		C 845	QTE1C28-227Z	E CAPACITOR		
	C 744	QTE0J28-227Z	E CAPACITOR		4U,A,J,UF		C 846	QTE1C28-227Z	E CAPACITOR		
	C 745	QCZ0205-155Z	ML C CAPACITOR	1.5MF	4U,A,J,UF		C 847	QTE1C28-227Z	E CAPACITOR		
	C 751	QTE1A28-108Z	E CAPACITOR		*1		C 848	QTE1C28-227Z	E CAPACITOR		
	C 752	QCZ0205-155Z	ML C CAPACITOR	1.5MF	*1		C 849	QFN31HJ-152Z	M CAPACITOR	1500PF 5% 50V	
	C 753	QTE1A28-108Z	E CAPACITOR		*1		C 850	QFN31HJ-152Z	M CAPACITOR	1500PF 5% 50V	
	C 754	QTE1A28-108Z	E CAPACITOR		*1		C 851	QFLC1HJ-123Z	M CAPACITOR	.012MF 5% 50V	
	C 755	QTE1A28-108Z	E CAPACITOR		*1		C 852	QFLC1HJ-123Z	M CAPACITOR	.012MF 5% 50V	
	C 756	QTE1A28-108Z	E CAPACITOR		*1		C 853	QFLC1HJ-101Z	M.CAPA. I.M	100PF 5% 50V	
	C 757	QTE1A28-108Z	E CAPACITOR		*1		C 854	QFLC1HJ-101Z	M.CAPA. I.M	100PF 5% 50V	
	C 758	QTE1H28-475Z	E CAPACITOR		*1		C 855	QFN31HJ-333Z	M.CAPACITOR	.033MF 5% 50V	
	C 759	QTE1H28-475Z	E CAPACITOR		*1		C 856	QFN31HJ-333Z	M.CAPACITOR	.033MF 5% 50V	
	C 760	QTE1H28-475Z	E CAPACITOR		*1		C 857	QFLC1HJ-102Z	M CAPACITOR	1000PF 5% 50V	
	C 761	QTE1H28-475Z	E CAPACITOR		*1		C 858	QFLC1HJ-102Z	M CAPACITOR	1000PF 5% 50V	
	C 762	QTE1H28-475Z	E CAPACITOR		*1		C 859	QTE0J28-477Z	E CAPACITOR		
	C 763	QTE1H28-475Z	E CAPACITOR		*1		C 860	QTE0J28-477Z	E CAPACITOR		
	C 764	QTE1H28-475Z	E CAPACITOR		*1		C 861	QCZ0205-155Z	ML C CAPACITOR	1.5MF	
	C 769	QCS11HJ-101	C CAPACITOR	100PF 5% 50V	*1		C 862	QCZ0205-155Z	ML C CAPACITOR	1.5MF	
	C 770	QTE1A28-107Z	E CAPACITOR		*1		C 863	QCZ0205-155Z	ML C CAPACITOR	1.5MF	
	C 771	QCZ0205-155Z	ML C CAPACITOR	1.5MF	*1		C 864	QCZ0205-155Z	ML C CAPACITOR	1.5MF	
	C 772	QTE1A28-107Z	E CAPACITOR		*1		C 866	QFN31HJ-103Z	M CAPACITOR	.010MF 5% 50V	
	C 773	QCZ0205-155Z	ML C CAPACITOR	1.5MF	*1		C 867	QFVJ1HJ-224Z	MF CAPACITOR	.22MF 5% 50V	
	C 774	QTE1A28-107Z	E CAPACITOR		*1		C 868	QTE0J28-477Z	E CAPACITOR		
	C 775	QCZ0205-155Z	ML C CAPACITOR	1.5MF	*1		C 869	QFLC1HJ-152Z	M CAPACITOR	1500PF 5% 50V	
	C 776	QTE1C27-228	E CAPACITOR		*1		C 871	QFLC1HJ-152Z	M CAPACITOR	1500PF 5% 50V	
	C 777	QTE0J28-227Z	E CAPACITOR		*1		C 873	QFLC1HJ-222Z	M CAPACITOR	2200PF 5% 50V	
	C 778	QCZ0205-155Z	ML C CAPACITOR	1.5MF	*1		C 874	QFLC1HJ-222Z	M CAPACITOR	2200PF 5% 50V	
	C 791	QCS11HJ-471	C CAPACITOR	470PF 5% 50V	*1		C 875	QTE1E28-476Z	E CAPACITOR		
	C 792	QCS11HJ-471	C CAPACITOR	470PF 5% 50V	*1		C 876	QTE1E28-476Z	E CAPACITOR		
	C 801	QFLC1HJ-182Z	M CAPACITOR	1800PF 5% 50V			C 877	QTE1C28-227Z	E CAPACITOR		
	C 802	QFLC1HJ-182Z	M CAPACITOR	1800PF 5% 50V			C 878	QTE1C28-227Z	E CAPACITOR		
	C 803	QTE1E48-476Z	E CAPACITOR				C 879	QTE1C28-227Z	E CAPACITOR		
	C 804	QTE1E48-476Z	E CAPACITOR				C 880	QTE1C28-227Z	E CAPACITOR		
	C 805	QTE1C28-337Z	E.CAPA I/M				C 881	QFN31HJ-152Z	M CAPACITOR	1500PF 5% 50V	
	C 806	QTE1C28-337Z	E.CAPA I/M				C 882	QFN31HJ-152Z	M CAPACITOR	1500PF 5% 50V	
	C 807	QTE1C28-337Z	E.CAPA I/M				C 883	QFLC1HJ-123Z	M CAPACITOR	.012MF 5% 50V	
	C 808	QTE1C28-337Z	E.CAPA I/M				C 884	QFLC1HJ-123Z	M CAPACITOR	.012MF 5% 50V	
	C 809	QFP31HG-103Z	PP CAPACITOR	.010MF 50V			C 885	QFN31HJ-333Z	M.CAPACITOR	.033MF 5% 50V	
	C 810	QFP31HG-103Z	PP CAPACITOR	.010MF 50V			C 886	QFN31HJ-333Z	M.CAPACITOR	.033MF 5% 50V	
	C 811	QFN31HJ-561Z	M.CAPA I.M	560PF 5% 50V			C 887	QFLC1HJ-101Z	M.CAPA. I.M	100PF 5% 50V	
	C 812	QFN31HJ-561Z	M.CAPA I.M	560PF 5% 50V			C 888	QFLC1HJ-101Z	M.CAPA. I.M	100PF 5% 50V	
	C 813	QFLC1HJ-272Z	M.CAPA. I.M	2700PF 5% 50V			C 889	QFLC1HJ-102Z	M CAPACITOR	1000PF 5% 50V	
	C 814	QFLC1HJ-272Z	M.CAPA. I.M	2700PF 5% 50V			C 890	QFLC1HJ-102Z	M CAPACITOR	1000PF 5% 50V	
	C 815	QFN31HJ-333Z	M.CAPACITOR	.033MF 5% 50V			C 891	QTE0J28-477Z	E CAPACITOR		
	C 816	QFN31HJ-333Z	M.CAPACITOR	.033MF 5% 50V			C 892	QTE0J28-477Z	E CAPACITOR		
	C 817	QFP31HG-121Z	PP CAPACITOR	120PF 50V			C 893	QCZ0205-155Z	ML C CAPACITOR	1.5MF	
	C 818	QFP31HG-121Z	PP CAPACITOR	120PF 50V			C 894	QCZ0205-155Z	ML C CAPACITOR	1.5MF	
	C 819	QFLC1HJ-561Z	M.CAPA I.M	560PF 5% 50V			C 895	QCZ0205-155Z	ML C CAPACITOR		

*1:EG,EN,ES

■ Electrical parts list (Audio & Video board : XV-D723GD)

Block No. 03

△	Item	Parts number	Parts name	Remarks	Area
	C 897	QTE0J28-477Z	E CAPACITOR		
	C 898	QFV1HJ-224Z	MF CAPACITOR	.22MF 5% 50V	
	C 899	QFN31HJ-103Z	M CAPACITOR	.010MF 5% 50V	
	C 900	QCZ0205-155Z	ML C CAPACITOR	1.5MF	
	C 901	QTE0J28-477Z	E CAPACITOR		
	C 902	QTE1C28-477Z	E CAPACITOR		
	C 903	QTE1C28-477Z	E CAPACITOR		
	C 911	QCF31HZ-223Z	C CAPACITOR	.022MF +80:-20%	
	C 921	QCBB1HK-561Y	C CAPACITOR	560PF 10% 50V	
	C 922	QCFB1HZ-104Y	C CAPACITOR	.10MF +80:-20%	
	C 923	QTE1A28-107Z	E CAPACITOR		
	C 924	QCBB1HK-151Y	C CAPACITOR	150PF 10% 50V	
	C 925	QTE1E28-476Z	E CAPACITOR		
	C 926	QCZ0205-155Z	ML C CAPACITOR	1.5MF	
	C 927	QDVB1EZ-223Y	C CAPACITOR		
	C9335	QETN1HM-105Z	E CAPACITOR	1.0MF 20% 50V	
	C9336	QETN1HM-105Z	E CAPACITOR	1.0MF 20% 50V	
	CN701	QGF1016C1-11	CONNECTOR		4U,A,J,UF
	CN751	QGF1016C1-11	CONNECTOR		*1
	CN791	QGD2501C1-04Z	SOCKET		*1
	CN801	QGB2510K2-14	CONNECTOR		
	CN802	QGB2510K2-14	CONNECTOR		
	CN803	QGB2510K2-14	CONNECTOR		
	CN811	QGB2510J1-14	CONNECTOR		
	CN812	QGB2510J1-14	CONNECTOR		
	CN813	QGB2510J1-14	CONNECTOR		
	CN831	QGF1016C1-23	CONNECTOR		
	CN935	QGA2501C1-04	4P CONNECTOR		
	D 701	1SS133-T2	SI DIODE		4U,A,J,UF
	D 702	1SS133-T2	SI DIODE		4U,A,J,UF
	D 703	1SS133-T2	SI DIODE		4U,A,J,UF
	D 704	1SS133-T2	SI DIODE		4U,A,J,UF
	D 751	1SS133-T2	SI DIODE		*1
	D 752	1SS133-T2	SI DIODE		*1
	D 753	1SS133-T2	SI DIODE		*1
	D 754	1SS133-T2	SI DIODE		*1
	D 755	1SS133-T2	SI DIODE		*1
	D 756	1SS133-T2	SI DIODE		*1
	D 757	1SS133-T2	SI DIODE		*1
	D 801	1SS133-T2	SI DIODE		
	D 802	1SS133-T2	SI DIODE		
	D 811	1SS133-T2	SI DIODE		
	D 812	1SS133-T2	SI DIODE		
	D 823	1SS133-T2	SI DIODE		
	D 824	1SS133-T2	SI DIODE		
	D 851	MTZJ3.3B-T2	ZENER DIODE IM		
	FS751	VYSH101-009	SPACER		*1
	FW701	QUM153-10DGZ4	F.WIRE		4U,A,J,UF
	FW751	QUM153-10DGZ4	F.WIRE		*1
	FW801	QUM154-34DGZ4	PARA RIBON WIRE		*1
	FW804	QUM154-28DGZ4	F.WIRE		
	IC701	TK15400M-X	IC		4U,A,J,UF
	IC702	TK15401M-X	IC		4U,A,J,UF
	IC711	NJM78M05FA	IC		4U,A,J,UF
	IC751	TK15400M-X	IC		*1
	IC752	TK15400M-X	IC		*1
	IC753	TK15401M-X	IC		*1
	IC754	NJM78M05FA	IC		*1
	IC801	NJM5532L	IC		
	IC802	NJM5532L	IC		
	IC803	MN35505	IC		
	IC811	NJM5532L	IC		
	IC812	NJM5532L	IC		
	IC813	MN35505	IC		

△	Item	Parts number	Parts name	Remarks	Area
	IC821	NJM5532L	IC		
	IC822	NJM5532L	IC		
	IC823	MN35505	IC		
	IC831	NJM78M05FA	IC		
	IC851	TC74HC08AF-X	IC		
	IC931	PQ3DZ53-X	IC		
	J 701	QND0019-001	S-CONNECTOR		4U,A,J,UF
	J 702	QNN0278-001	PIN JACK		4U,A,J,UF
	J 703	QNN0277-001	PIN JACK		4U,A,J,UF
	J 751	QND0019-001	S-CONNECTOR	S-VIDEO	*1
	J 752	QNN0278-001	PIN JACK	CV	*1
	J 753	QNZ0099-001	RGB CONNECTOR	SCART	*1
	J 801	QNN0156-001	PIN JACK		
	J 811	QNN0156-001	PIN JACK		
	J 821	QNN0051-001	PIN JACK		
	J 831	QNS0016-001	3.5 JACK	COMPULINK	
	J 841	QNN0029-001	PIN JACK	COAX D.OUT	
	J 851	GP1FA550TZ	OPT TRANSMITTER	OPT D.OUT	
	K 001	QQR0601-001Z	FERRITE BEADS		
	K 002	QQR0601-001Z	FERRITE BEADS		
	K 003	QQR0601-001Z	FERRITE BEADS		
	K 701	QQR0601-001Z	FERRITE BEADS		4U,A,J,UF
	K 702	QQR0601-001Z	FERRITE BEADS		4U,A,J,UF
	K 751	QQR0601-001Z	FERRITE BEADS		*1
	K 752	QQR0601-001Z	FERRITE BEADS		*1
	K 801	QQR0601-001Z	FERRITE BEADS		
	K 802	QQR0601-001Z	FERRITE BEADS		
	K 803	QQR0601-001Z	FERRITE BEADS		
	K 804	QQR0601-001Z	FERRITE BEADS		
	K 811	QQR0601-001Z	FERRITE BEADS		
	K 812	QQR0601-001Z	FERRITE BEADS		
	K 813	QQR0601-001Z	FERRITE BEADS		
	K 814	QQR0601-001Z	FERRITE BEADS		
	K 821	QQR0601-001Z	FERRITE BEADS		
	K 822	QQR0601-001Z	FERRITE BEADS		
	K 823	QQR0601-001Z	FERRITE BEADS		
	K 824	QQR0601-001Z	FERRITE BEADS		
	K 831	QQR0601-001Z	FERRITE BEADS		
	K 832	QQR0601-001Z	FERRITE BEADS		
	K 833	QQR0601-001Z	FERRITE BEADS		
	K 842	QQR0601-001Z	FERRITE BEADS		
	L 701	QQR1088-001	LPF		4U,A,J,UF
	L 702	QQR1088-001	LPF		4U,A,J,UF
	L 703	QQR1088-001	LPF		4U,A,J,UF
	L 704	QQR1089-001	LPF		4U,A,J,UF
	L 751	QQR1089-001	LPF		*1
	L 752	QQR1088-001	LPF		*1
	L 753	QQR1088-001	LPF		*1
	L 754	QQR1088-001	LPF		*1
	L 801	QQL121M-1R0Y	INDUCTOR I.M		
	Q 751	DTC114ESA-T	DIGITAL.TR TAPE		*1
	Q 752	DTA114ESA-T	DIGITAL.TR TAPE		*1
	Q 753	DTC114ESA-T	DIGITAL.TR TAPE		*1
	Q 754	DTC114ESA-T	DIGITAL.TR TAPE		*1
	Q 755	DTC114ESA-T	DIGITAL.TR TAPE		*1
	Q 791	2SD1302/ST-T	TRANSISTOR		*1
	Q 792	2SD1302/ST-T	TRANSISTOR		*1
	Q 801	2SD1302/ST-T	TRANSISTOR		
	Q 802	2SD1302/ST-T	TRANSISTOR		
	Q 803	2SD1302/ST-T	TRANSISTOR		
	Q 804	2SD1302/ST-T	TRANSISTOR		
	Q 805	DTA114ESA-T	DIGITAL.TR TAPE		
	Q 806	DTA114ESA-T	DIGITAL.TR TAPE		
	Q 811	2SD1302/ST-T	TRANSISTOR		

*1:EG,EN,ES

■ Electrical parts list (Audio & Video board : XV-D723GD)

Block No. 03

△	Item	Parts number	Parts name	Remarks	Area	△	Item	Parts number	Parts name	Remarks	Area
	Q 812	2SD1302/ST/-T	TRANSISTOR				R 815	QRE141J-221Y	C RESISTOR	220 5% 1/4W	
	Q 813	DTA114ESA-T	DIGITAL.TR TAPE				R 816	QRE141J-221Y	C RESISTOR	220 5% 1/4W	
	Q 821	2SD1302/ST/-T	TRANSISTOR				R 817	QRA14CF-6200Y	M.F.RESISTOR	62 1/4W	
	Q 822	2SD1302/ST/-T	TRANSISTOR				R 818	QRA14CF-6200Y	M.F.RESISTOR	62 1/4W	
	Q 824	DTA114ESA-T	DIGITAL.TR TAPE				R 819	QRA14CF-6800Y	M.F.RESISTOR	68 1/4W	
	R 701	QRA14CF-75R0Y	MF.RES IM	1/4W	4U,A,J,UF		R 820	QRA14CF-6800Y	M.F.RESISTOR	68 1/4W	
	R 702	QRA14CF-75R0Y	MF.RES IM	1/4W	4U,A,J,UF		R 821	QRE141J-105Y	C RESISTOR	1.0M 5% 1/4W	
	R 703	QRA14CF-75R0Y	MF.RES IM	1/4W	4U,A,J,UF		R 822	QRE141J-105Y	C RESISTOR	1.0M 5% 1/4W	
	R 704	QRA14CF-82R0Y	M.F.RESISTOR	1/4W	4U,A,J,UF		R 823	QRE141J-103Y	C RESISTOR	10K 5% 1/4W	
	R 710	QRE141J-103Y	C RESISTOR	10K 5% 1/4W	4U,A,J,UF		R 824	QRE141J-103Y	C RESISTOR	10K 5% 1/4W	
	R 711	QRA14CF-75R0Y	MF.RES IM	1/4W	4U,A,J,UF		R 825	QRE141J-362Y	C RESISTOR	3.6K 5% 1/4W	
	R 712	QRA14CF-75R0Y	MF.RES IM	1/4W	4U,A,J,UF		R 826	QRE141J-362Y	C RESISTOR	3.6K 5% 1/4W	
	R 713	QRA14CF-75R0Y	MF.RES IM	1/4W	4U,A,J,UF		R 827	QRA14CF-3301Y	MF.RES IM	33 1/4W	
	R 714	QRA14CF-75R0Y	MF.RES IM	1/4W	4U,A,J,UF		R 828	QRA14CF-3301Y	MF.RES IM	33 1/4W	
	R 715	QRA14CF-75R0Y	MF.RES IM	1/4W	4U,A,J,UF		R 829	QRA14CF-1802Y	M.F.RESISTOR	18 1/4W	
	R 716	QRA14CF-75R0Y	MF.RES IM	1/4W	4U,A,J,UF		R 830	QRA14CF-1802Y	M.F.RESISTOR	18 1/4W	
	R 723	QRA14CF-1001Y	M.F.RESISTOR	10 1/4W	4U,A,J,UF		R 831	QRA14CF-1802Y	M.F.RESISTOR	18 1/4W	
	R 724	QRA14CF-1001Y	M.F.RESISTOR	10 1/4W	4U,A,J,UF		R 832	QRA14CF-1802Y	M.F.RESISTOR	18 1/4W	
	R 725	QRA14CF-1001Y	M.F.RESISTOR	10 1/4W	4U,A,J,UF		R 833	QRA14CF-1802Y	M.F.RESISTOR	18 1/4W	
	R 751	QRA14CF-75R0Y	MF.RES IM	1/4W	*1		R 834	QRA14CF-1802Y	M.F.RESISTOR	18 1/4W	
	R 752	QRA14CF-75R0Y	MF.RES IM	1/4W	*1		R 835	QRE141J-362Y	C RESISTOR	3.6K 5% 1/4W	
	R 753	QRA14CF-75R0Y	MF.RES IM	1/4W	*1		R 836	QRE141J-362Y	C RESISTOR	3.6K 5% 1/4W	
	R 754	QRA14CF-75R0Y	MF.RES IM	1/4W	*1		R 837	QRE141J-273Y	C RESISTOR	27K 5% 1/4W	
	R 755	QRA14CF-75R0Y	MF.RES IM	1/4W	*1		R 838	QRE141J-273Y	C RESISTOR	27K 5% 1/4W	
	R 756	QRA14CF-75R0Y	MF.RES IM	1/4W	*1		R 839	QRE141J-273Y	C RESISTOR	27K 5% 1/4W	
	R 757	QRA14CF-75R0Y	MF.RES IM	1/4W	*1		R 840	QRE141J-273Y	C RESISTOR	27K 5% 1/4W	
	R 758	QRA14CF-75R0Y	MF.RES IM	1/4W	*1		R 841	QRE141J-100Y	C RESISTOR	10 5% 1/4W	
	R 759	QRA14CF-75R0Y	MF.RES IM	1/4W	*1		R 842	QRE141J-100Y	C RESISTOR	10 5% 1/4W	
	R 760	QRA14CF-75R0Y	MF.RES IM	1/4W	*1		R 845	QRE141J-332Y	C RESISTOR	3.3K 5% 1/4W	
	R 761	QRA14CF-91R0Y	MF.RES IM	1/4W	*1		R 846	QRE141J-471Y	C RESISTOR	470 5% 1/4W	
	R 762	QRA14CF-1501Y	MF.RES IM	15 1/4W	*1		R 847	QRE141J-471Y	C RESISTOR	470 5% 1/4W	
	R 763	QRA14CF-2001Y	MF.RES IM	20 1/4W	*1		R 848	QRE141J-471Y	C RESISTOR	470 5% 1/4W	
	R 764	QRA14CF-1201Y	M.F.RESISTOR	12 1/4W	*1		R 849	QRE141J-471Y	C RESISTOR	470 5% 1/4W	
	R 766	QRE141J-222Y	C RESISTOR	2.2K 5% 1/4W	*1		R 850	QRE141J-471Y	C RESISTOR	470 5% 1/4W	
	R 767	QRE141J-103Y	C RESISTOR	10K 5% 1/4W	*1		R 851	QRE141J-471Y	C RESISTOR	470 5% 1/4W	
	R 768	QRE141J-750Y	C RESISTOR	75 5% 1/4W	*1		R 852	QRE141J-100Y	C RESISTOR	10 5% 1/4W	
	R 769	QRE141J-103Y	C RESISTOR	10K 5% 1/4W	*1		R 854	QRE141J-100Y	C RESISTOR	10 5% 1/4W	
	R 770	QRE141J-681Y	C RESISTOR	680 5% 1/4W	*1		R 855	QRE141J-473Y	C RESISTOR	47K 5% 1/4W	
	R 771	QRE141J-681Y	C RESISTOR	680 5% 1/4W	*1		R 856	QRE141J-473Y	C RESISTOR	47K 5% 1/4W	
	R 772	QRE141J-104Y	C RESISTOR	100K 5% 1/4W	*1		R 861	QRE141J-103Y	C RESISTOR	10K 5% 1/4W	
	R 775	QRE141J-103Y	C RESISTOR	10K 5% 1/4W	*1		R 862	QRE141J-103Y	C RESISTOR	10K 5% 1/4W	
	R 776	QRA14CF-2400Y	MF.RES IM	24 1/4W	*1		R 863	QRE141J-101Y	C RESISTOR	100 5% 1/4W	
	R 791	QRE141J-112Y	C RESISTOR	1.1K 5% 1/4W	*1		R 864	QRE141J-101Y	C RESISTOR	100 5% 1/4W	
	R 792	QRE141J-112Y	C RESISTOR	1.1K 5% 1/4W	*1		R 865	QRE141J-561Y	C RESISTOR	560 5% 1/4W	
	R 793	QRE141J-112Y	C RESISTOR	1.1K 5% 1/4W	*1		R 866	QRE141J-561Y	C RESISTOR	560 5% 1/4W	
	R 794	QRE141J-112Y	C RESISTOR	1.1K 5% 1/4W	*1		R 867	QRE141J-273Y	C RESISTOR	27K 5% 1/4W	
	R 795	QRE141J-103Y	C RESISTOR	10K 5% 1/4W	*1		R 868	QRE141J-273Y	C RESISTOR	27K 5% 1/4W	
	R 796	QRE141J-103Y	C RESISTOR	10K 5% 1/4W	*1		R 869	QRE141J-183Y	C RESISTOR	18K 5% 1/4W	
	R 797	QRE141J-151Y	C RESISTOR	150 5% 1/4W	*1		R 870	QRE141J-183Y	C RESISTOR	18K 5% 1/4W	
	R 798	QRE141J-151Y	C RESISTOR	150 5% 1/4W	*1		R 871	QRE141J-821Y	C RESISTOR	820 5% 1/4W	
	R 801	QRE141J-103Y	C RESISTOR	10K 5% 1/4W			R 872	QRE141J-821Y	C RESISTOR	820 5% 1/4W	
	R 802	QRE141J-103Y	C RESISTOR	10K 5% 1/4W			R 873	QRE141J-221Y	C RESISTOR	220 5% 1/4W	
	R 803	QRE141J-101Y	C RESISTOR	100 5% 1/4W			R 874	QRE141J-221Y	C RESISTOR	220 5% 1/4W	
	R 804	QRE141J-101Y	C RESISTOR	100 5% 1/4W			R 875	QRE141J-221Y	C RESISTOR	220 5% 1/4W	
	R 805	QRE141J-561Y	C RESISTOR	560 5% 1/4W			R 876	QRE141J-221Y	C RESISTOR	220 5% 1/4W	
	R 806	QRE141J-561Y	C RESISTOR	560 5% 1/4W			R 877	QRA14CF-5100Y	MF RES IM	51 1/4W	
	R 807	QRE141J-273Y	C RESISTOR	27K 5% 1/4W			R 878	QRA14CF-5100Y	MF RES IM	51 1/4W	
	R 808	QRE141J-273Y	C RESISTOR	27K 5% 1/4W			R 881	QRA14CF-6800Y	M.F.RESISTOR	68 1/4W	
	R 809	QRE141J-183Y	C RESISTOR	18K 5% 1/4W			R 882	QRA14CF-6800Y	M.F.RESISTOR	68 1/4W	
	R 810	QRE141J-183Y	C RESISTOR	18K 5% 1/4W			R 883	QRE141J-362Y	C RESISTOR	3.6K 5% 1/4W	
	R 811	QRE141J-821Y	C RESISTOR	820 5% 1/4W			R 884	QRE141J-362Y	C RESISTOR	3.6K 5% 1/4W	
	R 812	QRE141J-821Y	C RESISTOR	820 5% 1/4W			R 885	QRA14CF-3602Y	MF.RES IM	36 1/4W	
	R 813	QRE141J-221Y	C RESISTOR	220 5% 1/4W			R 886	QRA14CF-3602Y	MF.RES IM	36 1/4W	
	R 814	QRE141J-221Y	C RESISTOR	220 5% 1/4W			R 887	QRA14CF-1001Y	M.F.RESISTOR	10 1/4W	

*1:EG,EN,ES

■ Electrical parts list (Audio & Video board : XV-D723GD)

Block No. 03

△	Item	Parts number	Parts name	Remarks	Area
	R 888	QRA14CF-1001Y	M.F.RESISTOR	10 1/4W	
	R 889	QRE141J-272Y	C RESISTOR	2.7K 5% 1/4W	
	R 890	QRE141J-272Y	C RESISTOR	2.7K 5% 1/4W	
	R 891	QRA14CF-1802Y	M.F.RESISTOR	18 1/4W	
	R 892	QRA14CF-1802Y	M.F.RESISTOR	18 1/4W	
	R 893	QRA14CF-1802Y	M.F.RESISTOR	18 1/4W	
	R 894	QRA14CF-1802Y	M.F.RESISTOR	18 1/4W	
	R 895	QRE141J-303Y	C RESISTOR	30K 5% 1/4W	
	R 896	QRE141J-303Y	C RESISTOR	30K 5% 1/4W	
	R 897	QRE141J-303Y	C RESISTOR	30K 5% 1/4W	
	R 898	QRE141J-303Y	C RESISTOR	30K 5% 1/4W	
	R 899	QRE141J-100Y	C RESISTOR	10 5% 1/4W	
	R 900	QRE141J-100Y	C RESISTOR	10 5% 1/4W	
	R 903	QRE141J-471Y	C RESISTOR	470 5% 1/4W	
	R 904	QRE141J-471Y	C RESISTOR	470 5% 1/4W	
	R 905	QRE141J-471Y	C RESISTOR	470 5% 1/4W	
	R 906	QRE141J-471Y	C RESISTOR	470 5% 1/4W	
	R 907	QRE141J-332Y	C RESISTOR	3.3K 5% 1/4W	
	R 908	QRE141J-471Y	C RESISTOR	470 5% 1/4W	
	R 909	QRE141J-471Y	C RESISTOR	470 5% 1/4W	
	R 910	QRE141J-100Y	C RESISTOR	10 5% 1/4W	
	R 912	QRE141J-100Y	C RESISTOR	10 5% 1/4W	
	R 913	QRE141J-473Y	C RESISTOR	47K 5% 1/4W	
	R 921	QRE141J-473Y	C RESISTOR	47K 5% 1/4W	
	R 923	QRE141J-103Y	C RESISTOR	10K 5% 1/4W	
	R 924	QRE141J-103Y	C RESISTOR	10K 5% 1/4W	
	R 925	QRE141J-101Y	C RESISTOR	100 5% 1/4W	
	R 926	QRE141J-101Y	C RESISTOR	100 5% 1/4W	
	R 927	QRE141J-561Y	C RESISTOR	560 5% 1/4W	
	R 928	QRE141J-561Y	C RESISTOR	560 5% 1/4W	
	R 929	QRE141J-273Y	C RESISTOR	27K 5% 1/4W	
	R 930	QRE141J-273Y	C RESISTOR	27K 5% 1/4W	
	R 931	QRE141J-183Y	C RESISTOR	18K 5% 1/4W	
	R 932	QRE141J-183Y	C RESISTOR	18K 5% 1/4W	
	R 933	QRE141J-821Y	C RESISTOR	820 5% 1/4W	
	R 934	QRE141J-821Y	C RESISTOR	820 5% 1/4W	
	R 935	QRE141J-221Y	C RESISTOR	220 5% 1/4W	
	R 936	QRE141J-221Y	C RESISTOR	220 5% 1/4W	
	R 937	QRE141J-221Y	C RESISTOR	220 5% 1/4W	
	R 938	QRE141J-221Y	C RESISTOR	220 5% 1/4W	
	R 939	QRA14CF-5100Y	MF RES IM	51 1/4W	
	R 940	QRA14CF-5100Y	MF RES IM	51 1/4W	
	R 943	QRA14CF-6800Y	M.F.RESISTOR	68 1/4W	
	R 944	QRA14CF-6800Y	M.F.RESISTOR	68 1/4W	
	R 945	QRE141J-362Y	C RESISTOR	3.6K 5% 1/4W	
	R 946	QRE141J-362Y	C RESISTOR	3.6K 5% 1/4W	
	R 947	QRA14CF-3602Y	MF.RES IM	36 1/4W	
	R 948	QRA14CF-3602Y	MF.RES IM	36 1/4W	
	R 949	QRA14CF-1001Y	M.F.RESISTOR	10 1/4W	
	R 950	QRA14CF-1001Y	M.F.RESISTOR	10 1/4W	
	R 951	QRA14CF-1802Y	M.F.RESISTOR	18 1/4W	
	R 952	QRA14CF-1802Y	M.F.RESISTOR	18 1/4W	
	R 953	QRA14CF-1802Y	M.F.RESISTOR	18 1/4W	
	R 954	QRA14CF-1802Y	M.F.RESISTOR	18 1/4W	
	R 955	QRE141J-272Y	C RESISTOR	2.7K 5% 1/4W	
	R 956	QRE141J-272Y	C RESISTOR	2.7K 5% 1/4W	
	R 957	QRE141J-303Y	C RESISTOR	30K 5% 1/4W	
	R 958	QRE141J-303Y	C RESISTOR	30K 5% 1/4W	
	R 959	QRE141J-303Y	C RESISTOR	30K 5% 1/4W	
	R 960	QRE141J-303Y	C RESISTOR	30K 5% 1/4W	
	R 961	QRE141J-100Y	C RESISTOR	10 5% 1/4W	
	R 962	QRE141J-100Y	C RESISTOR	10 5% 1/4W	
	R 965	QRE141J-332Y	C RESISTOR	3.3K 5% 1/4W	
	R 966	QRE141J-471Y	C RESISTOR	470 5% 1/4W	

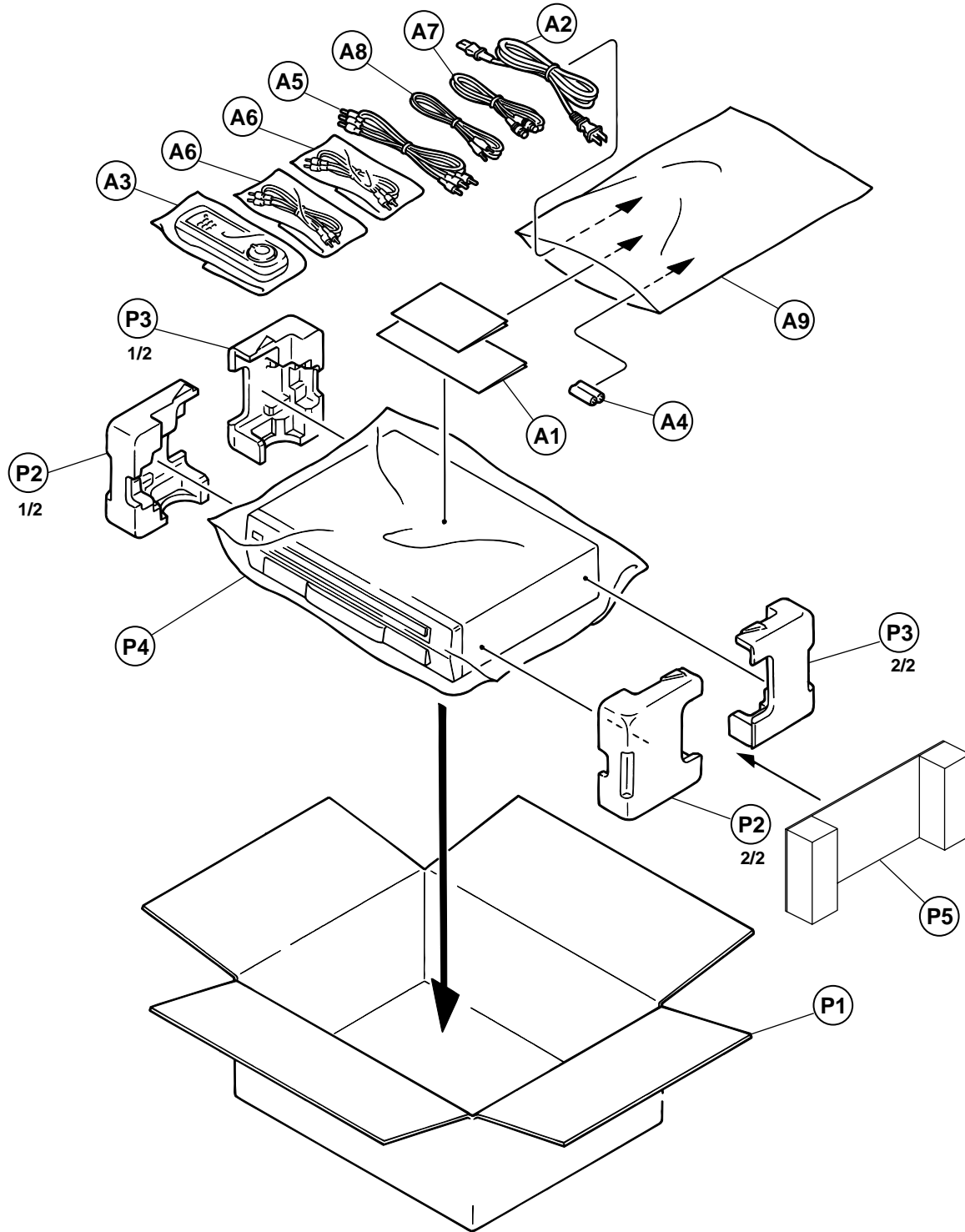
△	Item	Parts number	Parts name	Remarks	Area
	R 967	QRE141J-471Y	C RESISTOR	470 5% 1/4W	
	R 968	QRE141J-471Y	C RESISTOR	470 5% 1/4W	
	R 969	QRE141J-471Y	C RESISTOR	470 5% 1/4W	
	R 970	QRE141J-471Y	C RESISTOR	470 5% 1/4W	
	R 971	QRE141J-471Y	C RESISTOR	470 5% 1/4W	
	R 972	QRE141J-100Y	C RESISTOR	10 5% 1/4W	
	R 974	QRE141J-100Y	C RESISTOR	10 5% 1/4W	
	R1001	QRE141J-101Y	C RESISTOR	100 5% 1/4W	
	R1002	QRE141J-101Y	C RESISTOR	100 5% 1/4W	
	R1011	QRE141J-270Y	C RESISTOR	27 5% 1/4W	
	R1012	QRJ146J-2R2X	UNF C.RES IM	2.2 5% 1/4W	
	R1013	QRE141J-750Y	C RESISTOR	75 5% 1/4W	
	R1015	QRE141J-331Y	C RESISTOR	330 5% 1/4W	
	R1016	QRE141J-104Y	C RESISTOR	100K 5% 1/4W	
	R1805	QRE141J-362Y	C RESISTOR	3.6K 5% 1/4W	
	R1806	QRE141J-362Y	C RESISTOR	3.6K 5% 1/4W	
	R1825	QRE141J-272Y	C RESISTOR	2.7K 5% 1/4W	
	R1826	QRE141J-272Y	C RESISTOR	2.7K 5% 1/4W	
	R1845	QRE141J-272Y	C RESISTOR	2.7K 5% 1/4W	
	R1846	QRE141J-272Y	C RESISTOR	2.7K 5% 1/4W	
	R9335	QRE141J-102Y	C RESISTOR	1.0K 5% 1/4W	
	R9336	QRE141J-102Y	C RESISTOR	1.0K 5% 1/4W	
	S 701	QSW0454-001	SW		4U,A,J,UF
	S 751	QSW0454-001	SW	Y/C CV	*1
	S 752	QSW0454-001	SW	RGB Y/C	*1
	SP701	VYH7653-006	IC HOLDER		4U,A,J,UF
	SP702	VYH7653-006	IC HOLDER		4U,A,J,UF
	SP751	VYH7653-006	IC HOLDER		*1
	SP752	VYH7653-006	IC HOLDER		*1
	SP753	VYH7653-006	IC HOLDER		*1
	SP801	VYH7653-002	IC HOLDER		J
	SP803	VYH7653-002	IC HOLDER		*1,4U,A,UF
	SP813	VYH7653-002	IC HOLDER		
	SP823	VYH7653-002	IC HOLDER		
	SP851	VYH7653-006	IC HOLDER		
	T 801	QQR0880-001	PULSE TRANS		
	WR751	QUB230-03A2A2	SIN TWIST WIRE		

*1:EG,EN,ES

Packing materials and accessories parts list

Block No. M3MM

Block No. M4MM



■ Packing list (XV-D721BK)

Block No. M3MM

△	Item	Parts number	Parts name	Q'ty	Description	Area
	P 1	LV20677-003A	PACKING CASE	1		1U,C,J
		LV20677-010A	PACKING CASE	1		EE
		LV20677-006A	PACKING CASE	1		EG,EN,ES
	P 2	LV20678-201A	PACKING PAD(F)	1		
	P 3	LV20679-201A	PACKING PAD(R)	1		
	P 4	QPC06506515P	POLY BAG	1		

■ Accessories list (XV-D721BK)

Block No. M4MM

△	Item	Parts number	Parts name	Q'ty	Description	Area
	A 1	LET0486-001A	INST BOOK	1		1U
		LET0486-002A	INST BOOK	1		C
		LET0486-013A	INST BOOK	1		EE
		LET0486-005A	INST BOOK	1		EG
		LET0486-007A	INST BOOK	1		EG
		LET0486-006A	INST BOOK	1		EG
		LET0486-011A	INST BOOK	1		EN
		LET0486-010A	INST BOOK	1		EN
		LET0486-012A	INST BOOK	1		EN
		LET0486-005A	INST BOOK	1		EN
		LET0486-009A	INST BOOK	1		ES
		LET0486-008A	INST BOOK	1		ES
		LET0486-001A	INST BOOK	1		J
△	A 2	QMPL080-183-JC	POWER CORD	1		1U,EE,EG,EN,ES
		QMPE090-183-JD	POWER CORD	1		C,J
	A 3	RM-SXVD721J	REMOCON UNIT	1		1U,C,J
		RM-SXVD721E	REMOCON UNIT	1		EE,EG,EN,ES
	A 4	-----	BATTERY	2		
	A 5	PEAC0359-120	AV CORD 3P	1		
	A 6	EWP302-011W	SIGNAL CORD	2		
	A 7	QAM0004-002	S-VIDEO CORD	1		
	A 8	EWP805-001W	REMOTE WIRE	1		1U,C,J
	A 9	QPC02504015P	POLY BAG	1		
	A 10	QAM0112-001	AC PLUG ADAPTER	1		1U
	A 11	YU20333	SAFETY INST.	1		J
	A 12	BT-51020-2	J=REGIST CARD	1		J
	A 13	LV42169-001A	INST SHEET	1		EE,EG,EN,ES
	A 14	BT-52004-1	WARRANTY CARD	1		C
		BT-54013-1	WARRANTY CARD	1		EE
		BT-54008-2	WARRANTY CARD	1		EG,EN,ES
	A 16	BT-20071B	JVC CENTER LIST	1		C

■ Packing list (XV-D723GD)

Block No. M3MM

△	Item	Parts number	Parts name	Q'ty	Description	Area
	P 1	LV20677-017A	PACKING CASE	1		4U
		LV20677-018A	PACKING CASE	1		A
		LV20677-008A	PACKING CASE	1		EG,EN,ES
		LV20677-004A	PACKING CASE	1		J
		LV20677-019A	PACKING CASE	1		UF
	P 2	LV20678-201A	PACKING PAD(F)	1		4U,A,EG,EN,ES,J
		LV20786-001A	PACKING PAD(F)	1		UF
	P 3	LV20679-201A	PACKING PAD(R)	1		4U,A,EG,EN,ES,J
		LV20787-001A	PACKING PAD(R)	1		UF
	P 4	QPC06506515P	POLY BAG	1		
	P 5	LV31955-001A	SHEET ASSY	1		A

■ Accessories list (XV-D723GD)

Block No. M4MM

△	Item	Parts number	Parts name	Q'ty	Description	Area
	A 1	LET0486-016A	INST BOOK	1		4U
		LET0486-017A	INST BOOK	1		4U
		LET0486-014A	INST BOOK	1		4U,A
		LET0486-005A	INST BOOK	1		EG,EN
		LET0486-007A	INST BOOK	1		EG
		LET0486-006A	INST BOOK	1		EG
		LET0486-012A	INST BOOK	1		EN
		LET0486-011A	INST BOOK	1		EN
		LET0486-010A	INST BOOK	1		EN
		LET0486-009A	INST BOOK	1		ES
		LET0486-008A	INST BOOK	1		ES
		LET0486-001A	INST BOOK	1		J
		LET0486-019A	INST BOOK	1		UF
△	A 2	QMP39F0-183JE	POWER CORD	1		4U
		QMP25D0-183	POWER CORD	1		A
		QMPL080-183-JC	POWER CORD	1		EG,EN,ES
		QMPE090-183-JD	POWER CORD	1		J
		QMPS020-183-JC	POWER CORD	1		UF
	A 3	RM-SXVD723U	REMOCON UNIT	1		4U,A,UF
		RM-SXVD723E	REMOCON UNIT	1		EG,EN,ES
		RM-SXVD723J	REMOCON UNIT	1		J
	A 4	-----	BATTERY	2		
	A 5	PEAC0359-120	AV CORD 3P	1		
	A 6	EWP302-011W	SIGNAL CORD	2		
	A 7	QAM0004-002	S-VIDEO CORD	1		
	A 8	EWP805-001W	REMOTE WIRE	1		4U,A,J,UF
	A 9	QPC02504015P	POLY BAG	1		
	A 10	QAM0112-001	AC PLUG ADAPTER	1		4U
	A 11	YU20333	SAFETY INST.	1		J
	A 12	BT-51020-2	REGIST CARD	1		J
	A 13	LV42169-001A	INST SHEET	1		EG,EN,ES
	A 14	BT-56001-2	WARRANTY CARD	1		A
		BT-54008-2	WARRANTY CARD	1		EG,EN,ES
		BT-59007-2	WARRANTY CARD	1		UF
	A 15	QPC02503510P	POLY BAG	1		A
	A 16	BT-56002-2	SVC CENTER LIST	1		A
		BT-59009-1	SVC CENTER LIST	1		UF

<<MEMO>>